

## Description

### Description

TFF is a circular supply diffuser for ceiling installation. It has adjustable vent capacity and a 360° discharge pattern

from which up to 180° can be shielded by a deflector.

### Highlights

- Easy, precise air flow volume adjustment
- Non-disturbant aesthetic form
- Easy installation

### Design

TFF is made from galvanized steel sheet with powder colour coating. The product consists of the fixed part with fixing

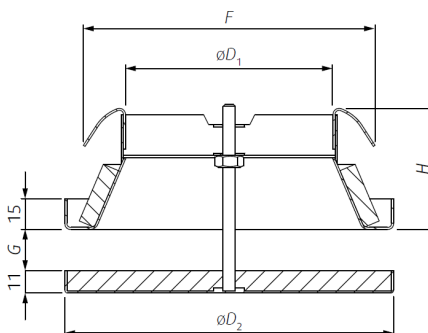
springs, equipped duct connection, the valve seat and the movable valve front plate. The front plate is held by the

central thread bolt and can be moved by rotating. So the gap between the plate and the seat can be...  
[Find more details in our online catalogue](#)

## Technical parameters

Nominal data		
Air flow(s)	116; 138; 157	m <sup>3</sup> /h
Duct connection type	Circular	
Pressure drop	16; 22; 29	Pa
Sound power level	24; 29; 34	dB(A)
Sound pressure level (10 m <sup>2</sup> room absorbtion area)	20; 25; 30	dB(A)
Dimensions and weights		
Weight	0.37	kg

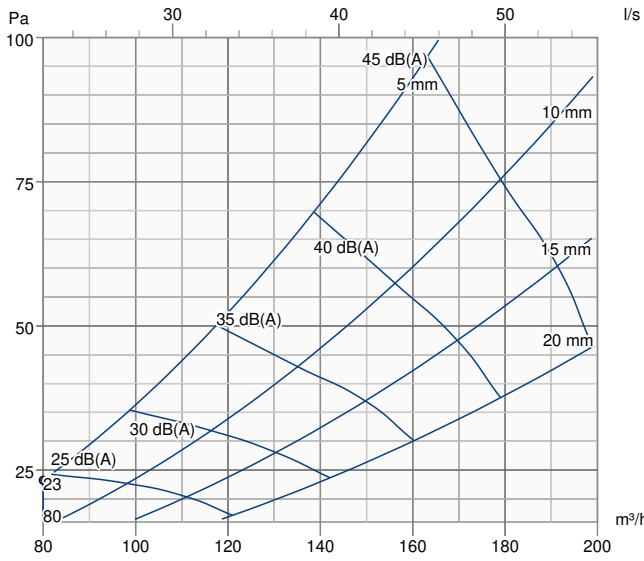
## Dimensions



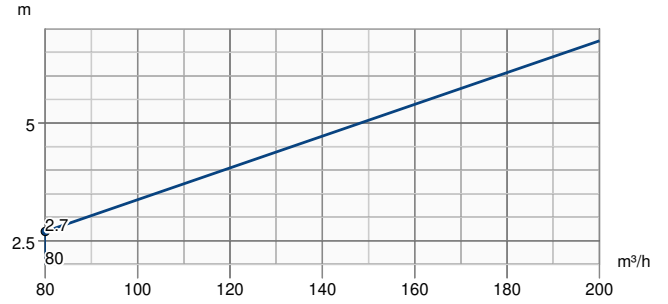
Dimensions	Value mm
øD1	100
øD2	153
F	146
G (max)	20
H	60
Part	Weight kg
TFF-125-SW	0.37

## Performance

### Pressure drop & sound power level (A-weighted) - Total sound power level (A-weighted) - Discharged into room



### Throw length (terminal velocity 0.2 m/s)



Parameter	Value								
Air flow	80	m³/h							
Pressure drop	23	Pa							
Room temperature	20	°C							
Supply temperature	20	°C							
Damper setting	0	%							
Total sound power level - Discharged into room	35	dB							
Total sound power level (A-weighted) - Discharged into room	25	dB(A)							
Total sound pressure level (10 m² room absorption, A-weighted)	21	dB(A)							
<b>Total sound power level - Discharged into room</b>	<b>Hz</b>	<b>63</b>	<b>125</b>	<b>250</b>	<b>500</b>	<b>1k</b>	<b>2k</b>	<b>4k</b>	<b>8k</b>
Lw	dB	32	29	27	21	15	12	14	19
LwA	dB(A)	7	13	18	18	15	13	15	17

## Accessories

RFP-125 Mounting Frame (6126)  
 THOR-100-125 (66758)

## Documents

DataSheet\_TFF\_EN\_202105\_en-GB\_  
 TFF\_DoC\_EN  
 UserManual\_TFF\_201909\_en-GB\_