

TFF-100-SW

7 pcs/carton and 1176 pcs/pallet, steel, RAL9003

Item number: 161929

Description

TFF is a circular supply diffuser for ceiling installation. It has adjustable vent capacity and a 360° discharge pattern from which up to 180° can be shielded by a deflector.

Highlights

- Easy, precise air flow volume adjustment
- Non-disturbant aesthetic form
- Easy installation

Design

TFF is made from galvanized steel sheet with powder colour coating. The product consists of the fixed part with fixing springs, equipped duct connection, the valve seat and the movable valve front plate. The front plate is held by the central thread bolt and can be moved by rotating. So the gap between the plate and the seat can be adjusted to set the required air flow volume.

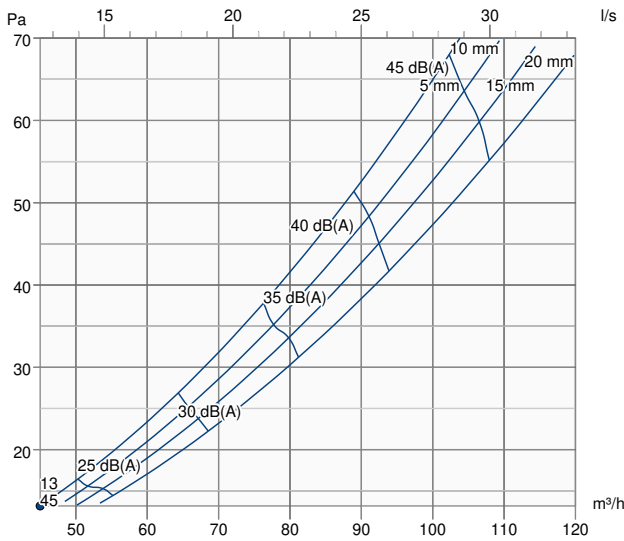


Technical parameters

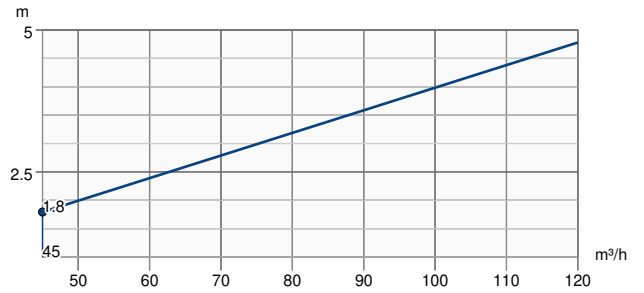
Nominal data		
Air flow(s)	52; 66; 78	m ³ /h
Duct connection type	Circular	
Pressure drop	13; 20; 29	Pa
Sound power level	24; 29; 34	dB(A)
Sound pressure level (10 m ² room absorption area)	20; 25; 30	dB(A)
Dimensions and weights		
Weight	0.3	kg

Performance

Pressure drop & sound power level (A-weighted) - Total sound power level (A-weighted) - Discharged into room



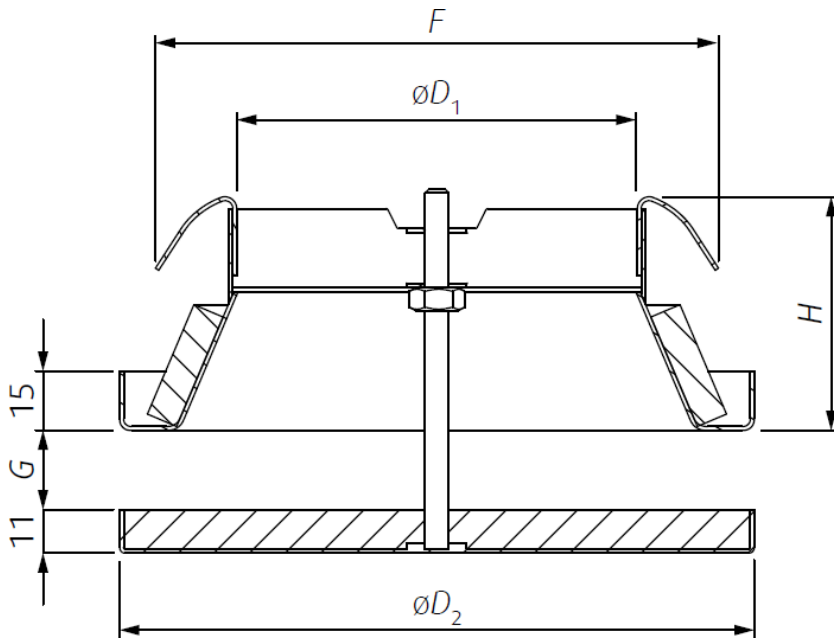
Throw length (terminal velocity 0.2 m/s)



Parameter	Value
Air flow	45 m³/h
Pressure drop	13 Pa
Room temperature	20 °C
Supply temperature	20 °C
Damper setting	0 %
Total sound power level - Discharged into room	36 dB
Total sound power level (A-weighted) - Discharged into room	24 dB(A)
Total sound pressure level (10 m² room absorption, A-weighted)	<20 dB(A)

Total sound power level - Discharged into room	Hz	63	125	250	500	1k	2k	4k	8k
Lw	dB	35	28	24	13	6	8	15	23
LwA	dB(A)	9	12	15	8	6	9	16	21

Dimensions



Dimensions	Value mm
$\varnothing D_1$	75
$\varnothing D_2$	128
F	122
G (max)	30
H	60

Part	Weight kg
TFF-100-SW	0.30

Accessories

- RFP-100 Mounting Frame (6125)

Documents

- DataSheet_TFF_EN_202105__en-GB_
- TFF_DoC_EN
- UserManual_TFF_201909__en-GB_