



GREYDEC 100 SYNTHETIC DUCTING

The **GREYDEC 100** ducts are completely flexible, ducts for several applications. The ducts are suitable for flexible mounting and can be mounted to round and oval connection pieces. The **GREYDEC** ducts are also capable of absorbing prolonged vibrations because of its mechanical strength.

The **GREYDEC 100** consisting of a polyester fabric, coated on both sides with a copolymer. The spiral wire has been inserted into the fabric.

APPLICATIONS

- Mechanical air supply systems
- Machine exhausting
- Air supply and ventilation systems
- Air supply cabinet in air conditioning systems
- Suction of welding fumes

SPECIFICATIONS

Article code: DG1{Ø}
 Temperature range: -30 °C to 70 °C
 Operating pressure: up to +3000 Pa
 Operating air velocity: max. 30 m/s
 Bending radius: min. 0.56 x Ø
 Standard diameter range: 76 – 710 mm
 Standard length: 10 mtr

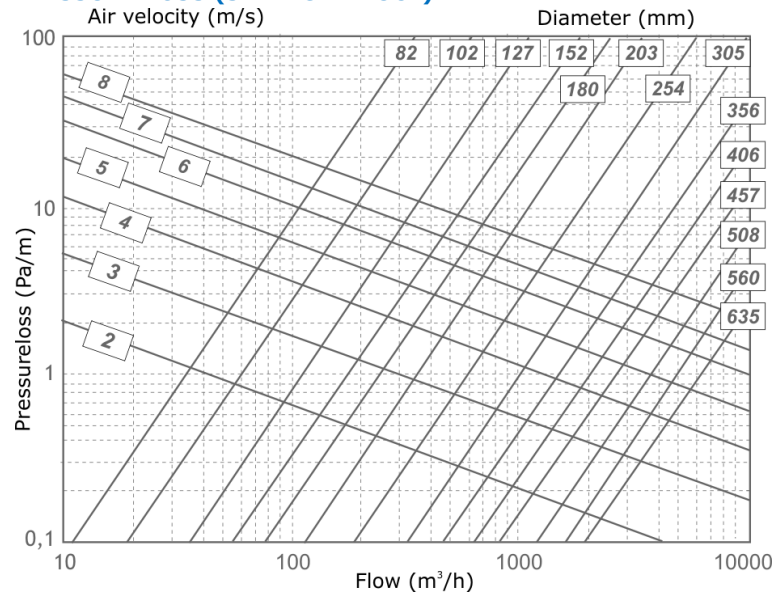
CONSTRUCTION

Total layers: 1
 Pvc coated poly-fabric: 280 gr/m²

Wire spacing:
 Ø 76 - 90 mm 33mm
 Ø 102 - 120 mm 39mm
 Ø 125 - 406 mm 47mm
 Ø 457 and larger 39mm

Appearance: Grey*
 * Also available in: White/Black

PRESSURE LOSS (STRAIGHT DUCT)



The **GREYDEC** fulfills all the requirements and are classified as specified within EN 13180:
Ventilation for buildings – Ductwork - Dimensions and mechanical requirements for flexible ducts.

Reach/RoHs Compliant

Directive 2011/65/EU RoHS
 Phthalates according to 1907/2006/EC REACH
 Test result: Pass - The test items meets the requirements of the test specification



LIABILITY:

The information contained in this brochure was current on the publication date. DEC INTERNATIONAL reserves the right to make changes in details at any time without prior notice. In order to avoid misunderstandings, any interested party is advised to contact DEC INTERNATIONAL checking for any changes in materials and/or information after this brochure was published.

PLEASE NOTICE:

The consultant is responsible for the actual installation and mounting of the product. The mentioned values with respect to temperatures are not appropriate to be used to determine the physical properties. These properties are also dependent on humidity and the temperature of the air inside and outside of the H.V.A.C. system.

TRADEMARKS:

GREYDEC, the DEC logo and DEC International are trademarks, or registered trademarks of Dutch Environment Corporation BV in the Netherlands and/or other countries.

RESTRICTIONS:

The GREYDEC ducts are not suitable for discharging combustion products from open fireplaces and oil-fired boilers. Neither are the ducts suitable for transporting air with a high concentration of acid and base.

