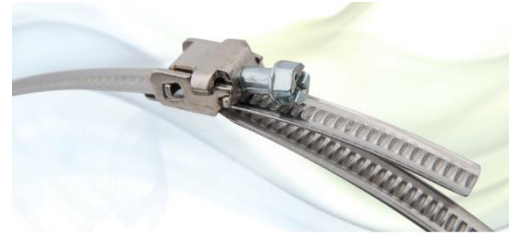




QIP METAL CLAMPS

FIXING & SEALING



The **METAL CLAMP QIP** is appropriate for mounting all kinds of flexible ducts.

METAL CLAMPS are available in a box containing 100pcs.

CONSTRUCTION:

Band: width 9 mm, thickness 0,6 mm, ferritic stainless steel AISI 430 - EN 1.4016, continuous threaded band pressed and raised, rounded edges to prevent damages to the pipe.

Upper and lower housing: low carbon steel galvanized.

Screw: size 7 mm, cross slotted-hexagon head, galvanized steel passivation free of Exavalent Chromium (Cr6+)

Safe working torque: 3 Nm

Running test: > 3 Nm

Free torque: 0,2 Nm

Also available as full stainlesssteel **QIPS**

Band: width 9 mm, thickness 0,6 mm, austenitic stainless steel AISI 304 - EN 1.4301, threaded band pressed and raised.

Upper and lower housing: austenitic stainless steel AISI 304 - EN 1.4301.

Screw: size 7 mm, cross slotted-hexagon head, austenitic stainless steel AISI 304 - EN1.4301.

Safe working torque: 3 Nm

Running test: > 3 Nm

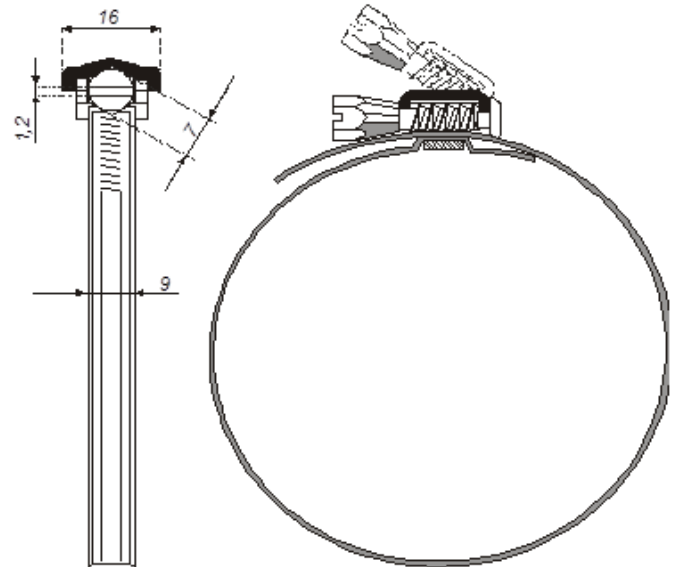
Free torque: 0,2 Nm

SPECIFICATIONS

Article code: **QIP{max.Ø}**

Summary

Art. code	Min. Ø (mm)	Max. Ø (mm)
QIP060	50	60
QIP090	50	90
QIP110	60	110
QIP135	60	135
QIP165	60	165
QIP180	60	180
QIP215	60	215
QIP270	60	270
QIP325	60	325
QIP380	60	380
QIP425	60	425
QIP525	60	525
QIP560	60	560
QIP660	60	660
QIP750	60	750



LIABILITY:

The information contained in this brochure was current on the publication date. DEC INTERNATIONAL reserves the right to make changes in details at any time without prior notice. In order to avoid misunderstandings, any interested party is advised to contact DEC INTERNATIONAL checking for any changes in materials and/or information after this brochure was published.

PLEASE NOTICE:

The consultant is responsible for the actual installation and mounting of the product. The mentioned values with respect to temperatures are not appropriate to be used to determine the physical properties. These properties are also dependent on humidity and the temperature of the air inside and outside of the H.V.A.C. system.

TRADEMARKS:

DEC International and the DEC logo are trademarks, or registered trademarks of Dutch Environment Corporation BV in the Netherlands and/or other countries.

