



## D5G/D5 EXTERNAL LOUVRES

AIR MANAGEMENT SYSTEMS

### PRODUCT PROPERTIES

**External louvres are used as covering grilles in air exhaust openings.**

The **D5G** has a beautiful design with a slanted front grille hood for exhaust air, the deflection shutter helps to control back-drafts and resist water from entering. The shutter is opened in case of overpressure.

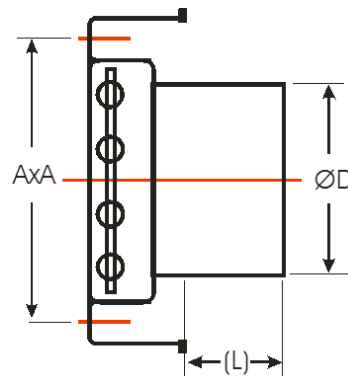
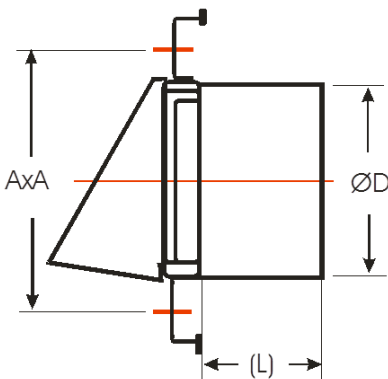
Made of durable stainless steel 304/2B.

The **D5** with moveable vanes are extremely solid and made of high quality 304/2B stainless steel.

The movable vanes are opened in case of overpressure and help control back-drafts and resist water from entering.

Code	L (mm)	ØD (mm)	A x A (mm)	Outer Size	Thickness (mm)	Weight (gr)
D5G100	52	97	137x137	156x156	0.3 - 0.6	340
D5G125	52	120	167x167	184x184	0.4 - 0.6	490
D5G150	62	145	167x167	184x184	0.4 - 0.6	500

Code	L (mm)	ØD (mm)	A x A (mm)	Outer Size	Thickness (mm)	Weight (gr)
D5100100	52	97	137x137	156x156	0.5 - 0.6	290
D5125125	52	120	167x167	184x184	0.5 - 0.6	390
D5150150	62	145	167x167	184x184	0.5 - 0.6	440



### MOUNTING INSTRUCTION

Mounting is with sealing when the facade for the installation of the grid is completely level. When installed on an uneven surface, for example masonry with joints, fixing of the grid takes place without the rubber seal. For this, the edges are sealed with silicone.

"Be careful with installation locations that are prone to wind, as at the seaside there can be rattling noises!"

#### LIABILITY:

The information contained in this brochure was current on the publication date. DEC INTERNATIONAL reserves the right to make changes in details at any time without prior notice. In order to avoid misunderstandings, any interested party is advised to contact DEC INTERNATIONAL checking for any changes in materials and/or information after this brochure was published.

#### PLEASE NOTICE:

The consultant is responsible for the actual installation and mounting of the product. The mentioned values with respect to temperatures are not appropriate to be used to determine the physical properties. These properties are also dependent on humidity and the temperature of the air inside and outside of the H.V.A.C. system.

#### TRADEMARKS:

DEC International and the DEC logo are trademarks, or registered trademarks of Dutch Environment Corporation BV in the Netherlands and/or other countries.

