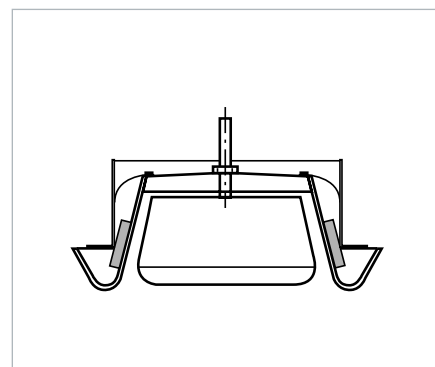
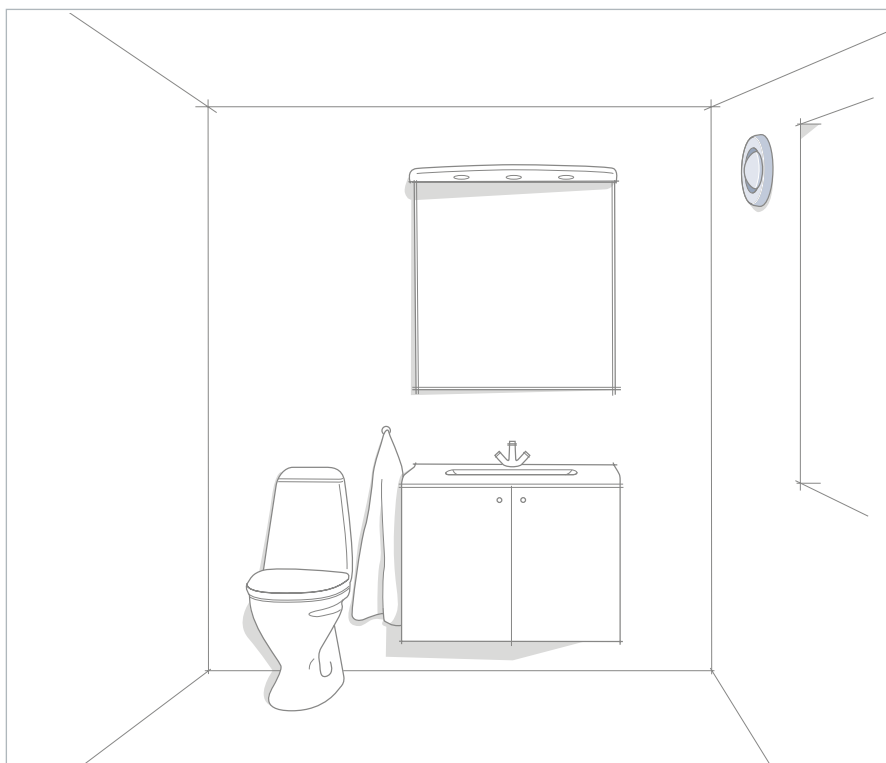


Extract valve FVEF

TECHNICAL DATA





EXTRACT VALVE FVEF

The FVEF is a classic extract air valve intended for use in mechanical ventilation systems in houses, offices etc. It can be installed on ceilings or walls. It has a low sound level and it is easy to measure, adjust and lock.

QUICK SELECTION

Size	Air flow l/s (m ³ /h) at sound level		
	25 dB	30 dB	35 dB
080	13	15 (54)	18
100	25	29 (104)	34
125	33	40 (144)	50
160	50	60 (216)	70
200	55	65 (234)	78

PRODUCT FACTS

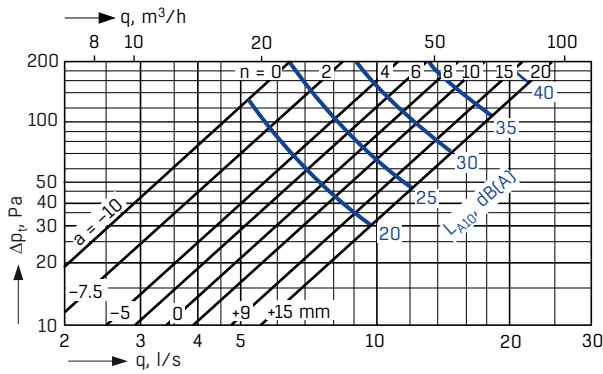
- Low sound level
- Easy to install and adjust
- Designed for wall or ceiling mounting
- Available in five sizes: 80, 100, 125, 160 and 200 mm
- The size 160 mm can also be installed into a 150 mm duct
- Made of polypropylene plastic

PRODUCT CODE EXAMPLE

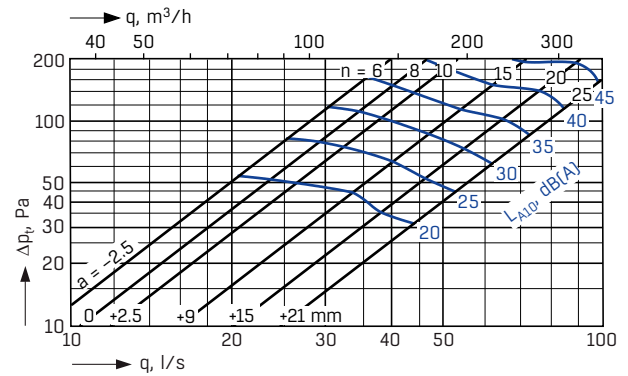
Extract valve FVEF-100

AIR FLOW, PRESSURE DROP, SOUND LEVEL

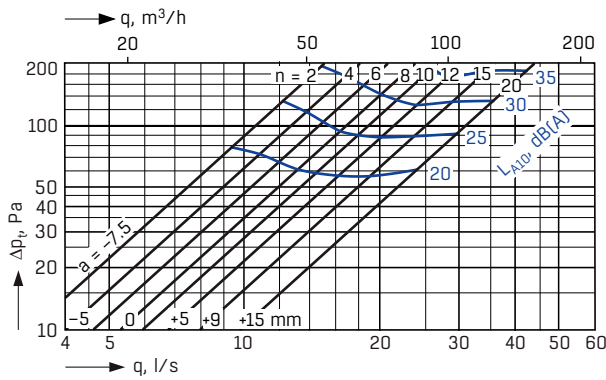
FVEF-080



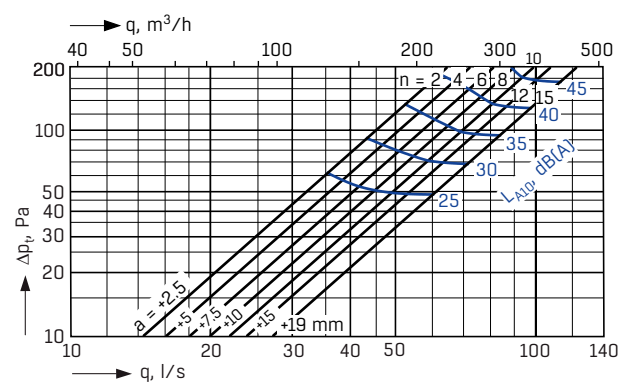
FVEF-160



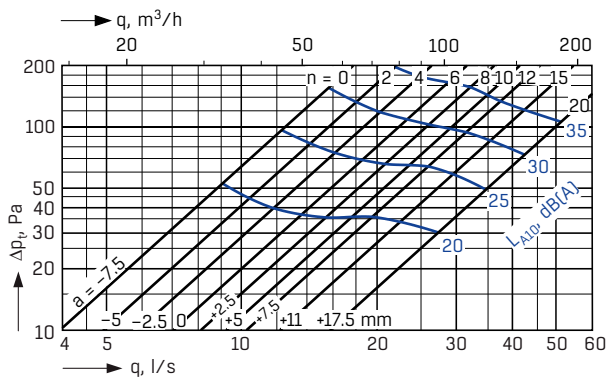
FVEF-100



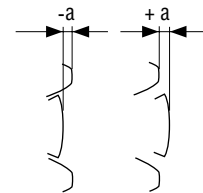
FVEF-200



FVEF-125



n = number of turns open
 a = slot orifice in mm



SOUND DATA, DIMENSIONS AND WEIGHTS

SOUND POWER LEVEL

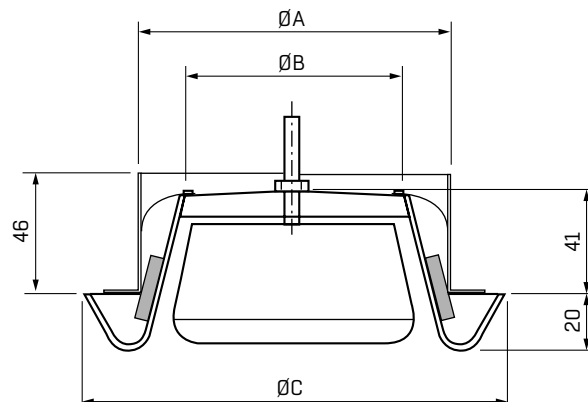
FVEF	Correction of sound level K_{oct} (dB)							
	63	125	250	500	1000	2000	4000	8000
080	-8	-7	-5	-4	-1	-2	-5	-12
100	-7	-6	-6	-4	-2	-1	-4	-11
125	-6	-5	-3	-4	-2	-1	-4	-13
160	1	2	1	-1	1	-4	-9	-18
200	1	2	4	0	-1	-4	-10	-18
Tolerance \pm	6	3	2	2	2	2	2	3

SOUND ATTENUATION

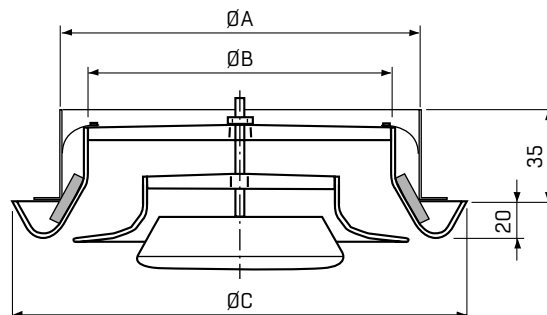
FVEF	Sound attenuation (dB)							
	63	125	250	500	1000	2000	4000	8000
080	23	23	16	15	13	10	6	9
100	22	21	15	13	11	10	6	9
125	21	19	13	11	10	10	7	9
160	20	16	12	10	9	10	8	8
200	17	12	7	5	4	4	7	5
Tolerance \pm	6	3	2	2	2	2	2	3

DIMENSIONS AND WEIGHTS

Extract valve FVEF sizes 80-160



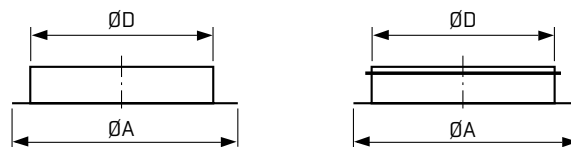
Extract valve FVEF size 200



Size	$\varnothing A$ [mm]	$\varnothing B$ [mm]	$\varnothing C$ [mm]	Weight [kg]
080	80	45	120	0,09
100	100	70	142	0,12
125	125	86	157,5	0,16
160	160	125	200	0,26
200	200	166	240	0,34

Note! Size 160 mm fits also into 150 mm duct.

Mounting ring VLZ-01, VLZ-02



Size	$\varnothing A$ [mm]	$\varnothing D$ [mm]	Weight [kg]	Hole size [mm]
08	107	80	0,07	$\varnothing 90$
10	127	100	0,09	$\varnothing 110$
12	152	125	0,11	$\varnothing 135$
15	177	150	0,13	$\varnothing 160$
16	187	160	0,15	$\varnothing 170$
20	227	200	0,18	$\varnothing 210$

GENERAL AND PRODUCT CODE

CONSTRUCTION AND FUNCTION

The FVEF is a classic extract air valve intended for use in mechanical ventilation systems in houses, offices etc. It can be installed on ceilings or walls. It has a low sound level and it is easy to measure, adjust and lock. The FVEF is available in five sizes (80, 100, 125, 160 and 200 mm). The size 160 mm fits also duct size 150 mm.

MATERIAL

The valve is made of polypropylene plastic which is recycleable and withstands temperatures up to 100°C. The materials used in the device are also resistant to most chemicals in small concentrations. The device is supplied in white color, RAL 9003 as standard. Mounting rings made of galvanized steel, with or without rubber gasket, are available as an accessory.

INSTALLATION

The FVEF extract air valve is easy to use in both new and renovated buildings. It can be installed on the ceiling or a wall. The mounting ring, VLZ is fitted into the duct with screws or rivets. The valve is fitted simply by pushing it into the ring.

MEASUREMENT AND ADJUSTMENT OF THE AIR FLOW

Air flow measurement, adjustment and locking are fast and easy. Air volume is adjusted by rotating the control disc to change the adjustment dimension s (mm). The position can be set by calculating turns of the disc (1 mm = 1 turn). Lock the adjustment position by turning nut firmly to the bridge.

The k-factors for each product are found in the instructions for installation, adjustment and maintenance and they are available at www.flaktgroup.com.

TECHNICAL DATA AND DESIGN

For complete design details, please see the FläktGroup product selection program. The program can be found online at www.flaktgroup.com.

DESCRIPTIVE TEXT

FVEF extract valve manufactured by FläktGroup, with or without a mounting ring.

PRODUCT CODE

Extract valve, RAL 9003 (standard) **FVEF-aaa**

Size (aa)
080, 100, 125, 160, 200
(size 160 fits also into 150 mm duct)

Extract valve, RAL 9010 **FVEF-aa**

Size (aa)
08, 10, 12, 16, 20
(size 16 fits also into 150 mm duct)

Mounting ring (without rubber gasket) **VLZ-01-aa**
Mounting ring (with rubber gasket) **VLZ-02-aa**

Size (aa)
08, 10, 12, 15¹⁾, 16, 20
¹⁾ Only VLZ-01-aa.

EXCELLENCE IN SOLUTIONS

FläktGroup is the European market leader for smart and energy efficient Indoor Air and Critical Air solutions to support every application area. We offer our customers innovative technologies, high quality and outstanding performance supported by more than a century of accumulated industry experience. The widest product range in the market, and strong market presence in 65 countries worldwide, guarantee that we are always by your side, ready to deliver Excellence in Solutions.

PRODUCT FUNCTIONS BY FLÄKTGROUP

Air Treatment | Air Movement | Air Diffusion | Air Distribution | Air Filtration
Air Management & ATD's | Air Conditioning & Heating | Controls | Service

» Learn more on www.flaktgroup.com
or contact one of our offices