

Technical Data Sheet

CODE 17188

LINEO 160 T

Mixed flow extractor fans



Certifications



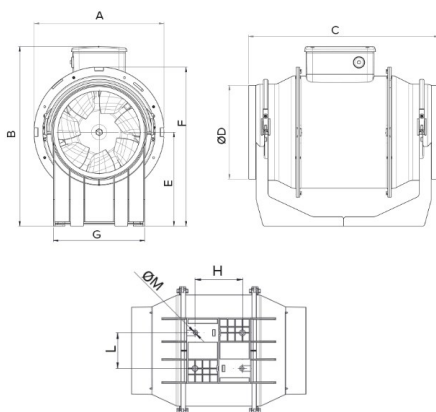
IMQ Performance



TECHNICAL AND PERFORMANCE DATA

Frequency (Hz)	50	Airflow at 1st speed (m ³ /h)	385
Insulation class	II°	Max airflow at Max speed (l/s)	152,8
IP	44	Max airflow at Max speed (m ³ /h)	550
Max absorbed current at Max speed (A)	0,26	Max pressure at Max speed (mmH2O)	27
Max absorbed current at Min speed (A)	0,18	Max pressure at Max speed (Pa)	264,9
Max absorbed power at Max speed (W)	58	Max RPM	2100
Max ambient temperature for continuous operation (°C)	60	Min RPM	1580
Power absorbed at 1st speed (W)	40	Pressure at 1st speed (mmH2O)	21
Voltage (V)	220-240	Pressure at 1st speed (Pa)	206
Weight (Kg)	2,8	Sound pressure at 3 m - min speed Lp [dB (A)] 3m - min speed	41,7
Airflow at 1st speed (l/s)	106,9	Sound pressure at 3m at Max speed Lp [dB (A)]	50,8

DIMENSIONS



Size A (mm)	214,5
Size B (mm)	234
Size C (mm)	272,5
Size D (mm)	156
Size E (mm)	112,5
Size F (mm)	212
Size G (mm)	110
Size H (mm)	80
Size L (mm)	60
Size M (mm)	5,5

PER INFORMAZIONI:

Servizio al Cliente: tel +39 02 90699395 premendo 1 dopo messaggio registrato (consulenza su prodotti e impianti)

Pre & Post Vendita: fax +39 02 90699302

Email prevendita: prevendita@vortice-italy.com

Technical Data Sheet

CODE 17188

LINEO 160 T

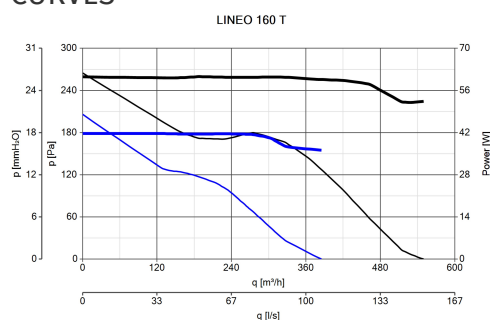
Mixed flow extractor fans



DESCRIPTION

- Enclosures made of fire resistant plastic resin, E2 class, according with ISO EN 11925-2: 2010, in areas close to motor and electrical components.
- Nominal diameter 160 mm.
- Induction motor, thermally protected, with shaft mounted on ball bearing supports, coupled with a centrifugal impeller.
- Equipped with an electronic timer for automatic operation at maximum speed, which can be set in the 3-20' range at the installation (default setting 3').
- High water resistance: IPX5 (if installed in a duct).
- Speed adjustable through Vortice speed devices.

CURVES



ACCESSORIES



IN-LINE-S 160

Code 22563



LINEO-PF 160

Code 22581



LINEO-C 160

Code 22587



LINEO-SF 500

Code 22593



LINEO-G 160

Code 22704



DUO

Code 22914



IREM D

Code 12867

PER INFORMAZIONI:

Servizio al Cliente: tel +39 02 90699395 premendo 1 dopo messaggio registrato (consulenza su prodotti e impianti)

Pre & Post Vendita: fax +39 02 90699302

Email prevendita: prevendita@vortice-italy.com