

Technical Data Sheet

CODE 17146

LINEO 150

Mixed flow extractor fans



Certifications



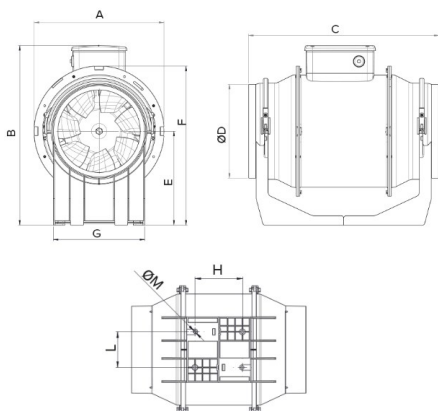
IMQ Performance



TECHNICAL AND PERFORMANCE DATA

Frequency (Hz)	50	Airflow at 1st speed (l/s)	106,9
Insulation class	II°	Airflow at 1st speed (m³/h)	385
IP	44	Max airflow at Max speed (l/s)	152,8
Max absorbed current at Max speed (A)	0,26	Max airflow at Max speed (m³/h)	550
Max absorbed current at Min speed (A)	0,18	Max pressure at Max speed (mmH2O)	27
Max absorbed power at Max speed (W)	58	Max pressure at Max speed (Pa)	264,9
Max ambient temperature for continuous operation (°C)	60	Max RPM	2100
Nominal diameter (mm)	150	Min RPM	1580
Power absorbed at 1st speed (W)	40	Pressure at 1st speed (mmH2O)	21
Voltage (V)	220-240	Pressure at 1st speed (Pa)	206
Weight (Kg)	2,5	Sound pressure at 3 m - min speed Lp [dB (A)] 3m - min speed	41,4
		Sound pressure at 3m at Max speed Lp [dB (A)]	50,5

DIMENSIONS



Size A (mm)	214,5
Size B (mm)	234
Size C (mm)	294
Size D (mm)	146
Size E (mm)	112,5
Size F (mm)	212
Size G (mm)	110
Size H (mm)	80
Size L (mm)	60
Size M (mm)	5,5

PER INFORMAZIONI:

Servizio al Cliente: tel +39 02 90699395 premendo 1 dopo messaggio registrato (consulenza su prodotti e impianti)

Pre & Post Vendita: fax +39 02 90699302

Email prevendita: prevendita@vortice-italy.com

Technical Data Sheet

CODE 17146

LINEO 150

Mixed flow extractor fans

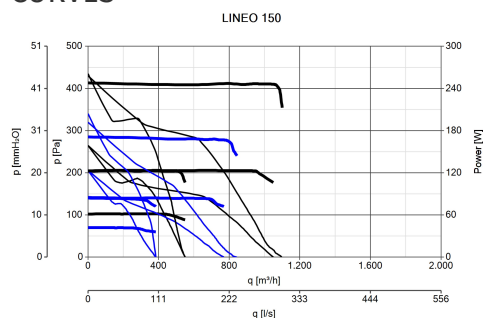


DESCRIPTION

- Enclosures made of fire resistant plastic resin, E2 class, according with ISO EN 11925-2: 2010, in areas close to motor and electrical components.
- Nominal diameter 150 mm.
- Induction motor, thermally protected, with shaft mounted on ball

- bearing supports, coupled with a centrifugal impeller.
- High water resistance: IPX5 (if installed in a duct).
- Speed adjustable through Vortice speed devices.

CURVES



ACCESSORIES



C TEMP

Code 12992



C SMOKE

Code 12993



C HCS

Code 12994



C PIR

Code 12998



C TIMER

Code 12999



KIT SCB (TRASF.E.C.)

Code 22481



C 1.5 (COMANDO EL. 1.5 A)

Code 12966



PER INFORMAZIONI:

Servizio al Cliente: tel +39 02 90699395 premendo 1 dopo messaggio registrato (consulenza su prodotti e impianti)

Pre & Post Vendita: fax +39 02 90699302

Email prevendita: prevendita@vortice-italy.com

NEO-C 150

le 22586



LINEO-SF 500
Code 22593



LINEO-G 150
Code 22703



DUO
Code 22914



IREM D
Code 12867