

# Technical Data Sheet

CODE 17025

## VORTICE LINEO 100 Q T V0

In-line mixed flow fans



### Certifications



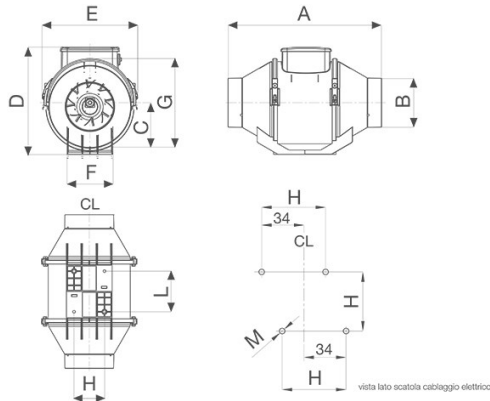
IMQ Performance



### TECHNICAL AND PERFORMANCE DATA

Absorbed power 1st speed (W)	12	Delivery 1st speed (m <sup>3</sup> /h)	155
Frequency (Hz)	50	Max delivery at max speed (l/s)	55,6
Insulation Class	II°	Max delivery at max speed (m <sup>3</sup> /h)	200
IP	44	Pressure - 1st speed (mmH2O)	6,5
Max ambient temperature for continuous operation (°C)	60	Pressure - 1st speed (Pa)	63,8
Max. absorbed Current at max. speed (A)	0,07	Pressure max - max speed (mmH2O)	7,5
Max. absorbed Current at min. speed (A)	0,05	Pressure max - max speed (Pa)	73,6
Max. absorbed power at max speed (W)	15	RPM max	2450
Voltage (V)	220-240	RPM min	1860
Weight (Kg)	1,25	Sound pressure level Lp [dB (A)] 3m - max speed	37,9
Delivery 1st speed (l/s)	43,1	Sound pressure level Lp [dB (A)] 3m - min speed	29,4

### DIMENSIONS



Size A (mm)	156
Size B (mm)	174
Size C (mm)	231
Size D (mm)	96
Size E (mm)	82
Size F (mm)	152
Size G (mm)	95
Size H (mm)	51,5
Size L (mm)	47,5
Size M (mm)	6

#### PER INFORMAZIONI:

Servizio al Cliente: tel +39 02 90699395 premendo 1 dopo messaggio registrato (consulenza su prodotti e impianti)

Pre & Post Vendita: fax +39 02 90699302

Email prevendita: prevendita@vortice-italy.com

# Technical Data Sheet

CODE 17025

## VORTICE LINEO 100 Q T V0

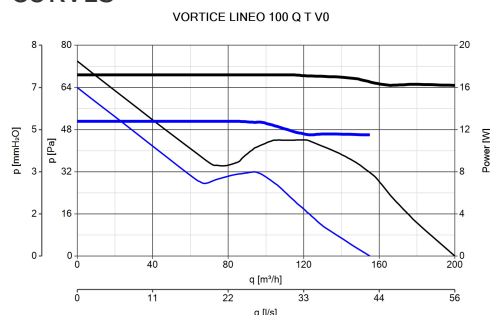
In-line mixed flow fans



### DESCRIPTION

- Material: self-extinguishing plastic resin (self-extinguishing capability V0)
- Nominal diameter 100 mm.
- 2 speed AC motor with thermal overload cutout and shaft turning in ball bearings, coupled to mixed flow axial-centrifugal impeller.
- Minimum air flow 155 m<sup>3</sup>/h
- Maximum air flow: 200 m<sup>3</sup>/h
- Equipped with an electronic timer designed to shut off the motor automatically after a set interval, selectable during installation in the range 3'-20' (default setting 3').
- IMQ SAFETY and IMQ PERFORMANCE certifications
- Vortice speed controllers.

### CURVES



### ACCESSORIES



#### C 1.5 (COMANDO EL. 1.5 A)

Code 12966



#### LINEO-G 100

Code 22701



#### C5 0.5 (COMANDO 5V 0.5 A)

Code 12987



#### KIT SCB5 (TRASF.5 V.)

Code 22483



#### KIT SCB (TRASF.E.C.)

Code 22481



#### C PIR

Code 12998



#### DUO

Code 22914

#### PER INFORMAZIONI:

Servizio al Cliente: tel +39 02 90699395 premendo 1 dopo messaggio registrato (consulenza su prodotti e impianti)

Pre & Post Vendita: fax +39 02 90699302

Email prevendita: [prevendita@vortice-italy.com](mailto:prevendita@vortice-italy.com)