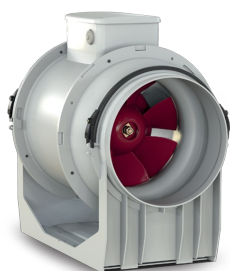


# Technical Data Sheet

CODE 17185

## LINEO 100 T

Mixed flow extractor fans



### Certifications



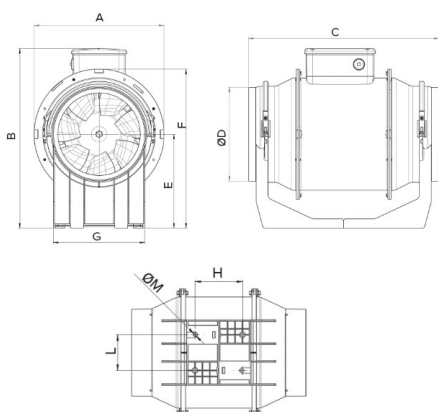
IMQ Performance



### TECHNICAL AND PERFORMANCE DATA

Frequency (Hz)	50	Airflow at 1st speed (l/s)	50
Insulation class	II°	Airflow at 1st speed (m³/h)	180
IP	44	Max airflow at Max speed (l/s)	70,8
Max absorbed current at Max speed (A)	0,11	Max airflow at Max speed (m³/h)	255
Max absorbed current at Min speed (A)	0,09	Max pressure at Max speed (mmH2O)	16,5
Max absorbed power at Max speed (W)	23	Max pressure at Max speed (Pa)	161,9
Max ambient temperature for continuous operation (°C)	60	Max RPM	2030
Nominal diameter (mm)	100	Min RPM	1520
Power absorbed at 1st speed (W)	20	Pressure at 1st speed (mmH2O)	13
Voltage (V)	220-240	Pressure at 1st speed (Pa)	127,5
Weight (Kg)	2	Sound pressure at 3 m - min speed Lp [dB (A)] 3m - min speed	30,7
		Sound pressure at 3m at Max speed Lp [dB (A)]	39,4

### DIMENSIONS



Size A (mm)	188,5
Size B (mm)	211
Size C (mm)	303
Size D (mm)	96
Size E (mm)	101,5
Size F (mm)	189
Size G (mm)	90
Size H (mm)	80
Size L (mm)	60
Size M (mm)	5,5

#### PER INFORMAZIONI:

Servizio al Cliente: tel +39 02 90699395 premendo 1 dopo messaggio registrato (consulenza su prodotti e impianti)

Pre & Post Vendita: fax +39 02 90699302

Email prevendita: prevendita@vortice-italy.com

# Technical Data Sheet

CODE 17185

## LINEO 100 T

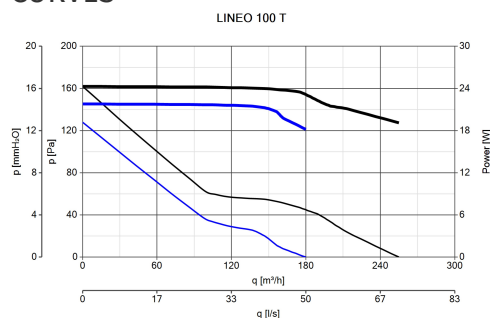
Mixed flow extractor fans



### DESCRIPTION

- Enclosures made of fire resistant plastic resin, E2 class, according with ISO EN 11925-2: 2010, in areas close to motor and electrical components.
- Nominal diameter 100 mm.
- Induction motor, thermally protected, with shaft mounted on ball bearing supports, coupled with a centrifugal impeller.
- Equipped with an electronic timer for automatic operation at maximum speed, which can be set in the 3-20' range at the installation (default setting 3').
- High water resistance: IPX5 (if installed in a duct).
- Speed adjustable through Vortice speed devices.

### CURVES



### ACCESSORIES



#### IN-LINE-S 100

Code 22551



#### LINEO-PF 100

Code 22577



#### LINEO-C 100

Code 22584



#### LINEO-G 100

Code 22701



#### DUO

Code 22914

#### PER INFORMAZIONI:

Servizio al Cliente: tel +39 02 90699395 premendo 1 dopo messaggio registrato (consulenza su prodotti e impianti)

Pre & Post Vendita: fax +39 02 90699302

Email prevendita: [prevendita@vortice-italy.com](mailto:prevendita@vortice-italy.com)