

# Technical Data Sheet

CODE 17184

## LINEO 100 Q T

Mixed flow extractor fans



### Certifications



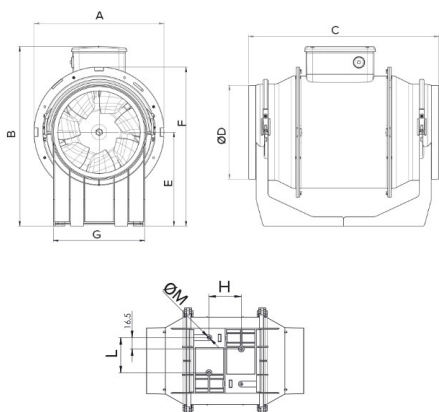
IMQ Performance



### TECHNICAL AND PERFORMANCE DATA

Frequency (Hz)	50	Airflow at 1st speed (m <sup>3</sup> /h)	155
Insulation class	II <sup>o</sup>	Max airflow at Max speed (l/s)	55,6
IP	44	Max airflow at Max speed (m <sup>3</sup> /h)	200
Max absorbed current at Max speed (A)	0,07	Max pressure at Max speed (mmH2O)	7,5
Max absorbed current at Min speed (A)	0,05	Max pressure at Max speed (Pa)	73,6
Max absorbed power at Max speed (W)	15	Max RPM	2450
Max ambient temperature for continuous operation (°C)	60	Min RPM	1860
Power absorbed at 1st speed (W)	12	Pressure at 1st speed (mmH2O)	6,5
Voltage (V)	220-240	Pressure at 1st speed (Pa)	63,8
Weight (kg)	1,25	Sound pressure at 3 m - min speed Lp [dB (A)] 3m - min speed	29,4
Airflow at 1st speed (l/s)	43,1	Sound pressure at 3m at Max speed Lp [dB (A)]	37,9

### DIMENSIONS



Size A (mm)	156
Size B (mm)	174
Size C (mm)	231
Size D (mm)	96
Size E (mm)	82
Size F (mm)	152
Size G (mm)	95
Size H (mm)	47,5
Size L (mm)	51,5
Size M (mm)	4,5

#### PER INFORMAZIONI:

Servizio al Cliente: tel +39 02 90699395 premendo 1 dopo messaggio registrato (consulenza su prodotti e impianti)

Pre & Post Vendita: fax +39 02 90699302

Email prevendita: prevendita@vortice-italy.com

# Technical Data Sheet

CODE 17184

## LINEO 100 Q T

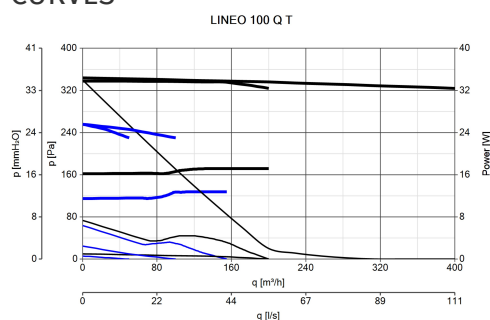
Mixed flow extractor fans



### DESCRIPTION

- Enclosures made of fire resistant plastic resin, E2 class, according with ISO EN 11925-2: 2010, in areas close to motor and electrical components.
- Nominal diameter 100 mm.
- Induction motor, thermally protected, with shaft mounted on ball bearing supports, coupled with a centrifugal impeller.
- Equipped with an electronic timer for automatic operation at maximum speed, which can be set in the 3-20' range at the installation (default setting 3').
- High water resistance: IPX5 (if installed in a duct).
- Speed adjustable through Vortice speed devices.

### CURVES



### ACCESSORIES



#### IN-LINE-S 100

Code 22551



#### LINEO-PF 100

Code 22577



#### LINEO-C 100

Code 22584



#### LINEO-G 100

Code 22701



#### DUO

Code 22914

#### PER INFORMAZIONI:

Servizio al Cliente: tel +39 02 90699395 premendo 1 dopo messaggio registrato (consulenza su prodotti e impianti)

Pre & Post Vendita: fax +39 02 90699302

Email prevendita: [prevendita@vortice-italy.com](mailto:prevendita@vortice-italy.com)