

# Technical Data Sheet

CODE 17144

## LINEO 100

Mixed flow extractor fans



### Certifications



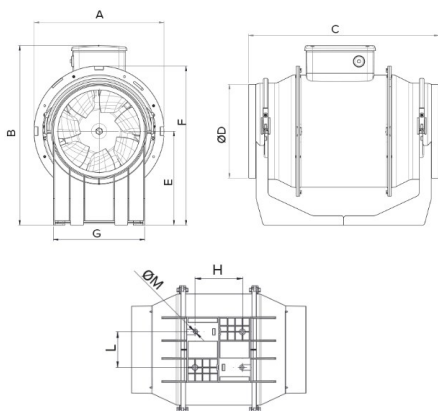
IMQ Performance



### TECHNICAL AND PERFORMANCE DATA

Frequency (Hz)	50	Airflow at 1st speed (l/s)	50
Insulation class	II°	Airflow at 1st speed (m³/h)	180
IP	44	Max airflow at Max speed (l/s)	70,8
Max absorbed current at Max speed (A)	0,11	Max airflow at Max speed (m³/h)	255
Max absorbed current at Min speed (A)	0,09	Max pressure at Max speed (mmH2O)	16,5
Max absorbed power at Max speed (W)	23	Max pressure at Max speed (Pa)	161,9
Max ambient temperature for continuous operation (°C)	60	Max RPM	2030
Nominal diameter (mm)	100	Min RPM	1520
Power absorbed at 1st speed (W)	20	Pressure at 1st speed (mmH2O)	13
Voltage (V)	220-240	Pressure at 1st speed (Pa)	127,5
Weight (Kg)	2	Sound pressure at 3 m - min speed Lp [dB (A)] 3m - min speed	30,7
		Sound pressure at 3m at Max speed Lp [dB (A)]	39,4

### DIMENSIONS



Size A (mm)	188,5
Size B (mm)	211
Size C (mm)	303
Size D (mm)	96
Size E (mm)	101,5
Size F (mm)	189
Size G (mm)	90
Size H (mm)	80
Size L (mm)	60
Size M (mm)	5,5

#### PER INFORMAZIONI:

Servizio al Cliente: tel +39 02 90699395 premendo 1 dopo messaggio registrato (consulenza su prodotti e impianti)

Pre & Post Vendita: fax +39 02 90699302

Email prevendita: prevendita@vortice-italy.com

# Technical Data Sheet

CODE 17144

## LINEO 100

Mixed flow extractor fans

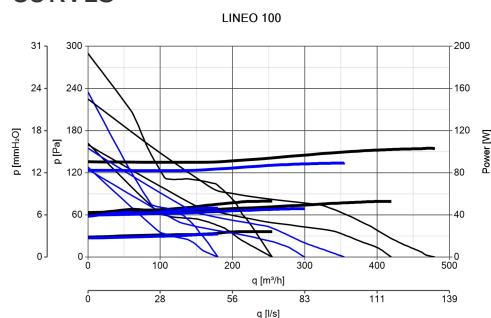


### DESCRIPTION

- Enclosures made of fire resistant plastic resin, E2 class, according with ISO EN 11925-2: 2010, in areas close to motor and electrical components.
- Nominal diameter 100 mm.
- Induction motor, thermally protected, with shaft mounted on ball

- bearing supports, coupled with a centrifugal impeller.
- High water resistance: IPX5 (if installed in a duct).
- Speed adjustable through Vortice speed devices.

### CURVES



### ACCESSORIES



#### C TEMP

Code 12992



#### C SMOKE

Code 12993



#### C HCS

Code 12994



#### C PIR

Code 12998



#### C TIMER

Code 12999



#### KIT SCB (TRASF.E.C.)

Code 22481



#### C 1.5 (COMANDO EL. 1.5 A)

Code 12966



#### PER INFORMAZIONI:

Servizio al Cliente: tel +39 02 90699395 premendo 1 dopo messaggio registrato (consulenza su prodotti e impianti)

Pre & Post Vendita: fax +39 02 90699302

Email prevendita: prevendita@vortice-italy.com

NEO-G 100

le 22701



**DUO**

Code 22914