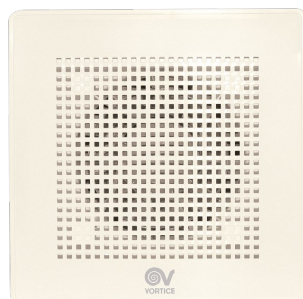


Technical Data Sheet

CODE 11272

ME 120/5" LL TP HCS

Wall axial fans



Certifications



IMQ



CE



IMQ Performance



EAC

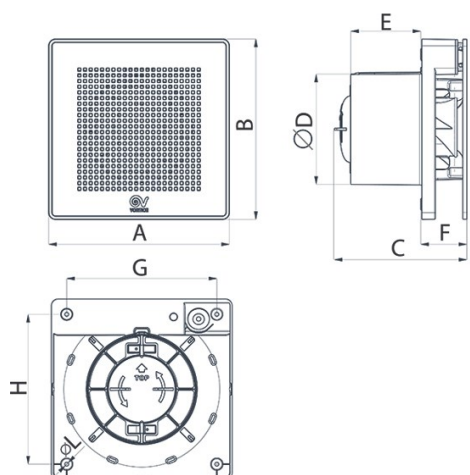


G-Mark

TECHNICAL AND PERFORMANCE DATA

Absorbed power 1st speed (W)	10	Delivery 1st speed (m ³ /h)	120
Frequency (Hz)	50	Max delivery at max speed (l/s)	48,6
Insulation Class	II ^o	Max delivery at max speed (m ³ /h)	175
IP	45	Pressure - 1st speed (mmH2O)	2,3
Max ambient temperature for continuous operation (°C)	50	Pressure - 1st speed (Pa)	22,56
Max. absorbed Current at max. speed (A)	0,080	Pressure max - max speed (mmH2O)	5
Max. absorbed Current at min. speed (A)	0,060	Pressure max - max speed (Pa)	49,04
Max. absorbed power at max speed (W)	15	RPM max	2070
Nominal Diameter (mm)	120	RPM min	1490
Voltage (V)	220-240	Sound power Lw [dB(A)] - min speed	44,5
Weight (Kg)	0,77	Sound power Lw [dB(A)] - max speed	52,8
Delivery 1st speed (l/s)	33,3	Sound pressure level Lp in free field [dB(A)] 3 m max speed	32,3
		Sound pressure level Lp in free field [dB(A)] 3 m min speed	24,0

DIMENSIONS



Size A (mm)	179
Size B (mm)	179
Size C (mm)	127
Size D (mm)	∅ 118
Size E (mm)	71
Size F (mm)	42,5
Size G (mm)	152
Size H (mm)	152
Size L (mm)	∅ 3,5

PER INFORMAZIONI:

Servizio al Cliente: tel +39 02 90699395 premendo 1 dopo messaggio registrato (consulenza su prodotti e impianti)

Pre & Post Vendita: fax +39 02 90699302

Email prevendita: prevendita@vortice-italy.com

Technical Data Sheet

CODE 11272

ME 120/5" LL TP HCS

Wall axial fans



DESCRIPTION

- Material: UV resistant white plastic (prevents ageing caused by exposure to sunlight).
- Nominal diameter 120 mm.
- Motor protected against thermal overload, with shaft turning in ball bearings; 2 operating speeds controlled electronically from pcb.
- Air flow between 120 m³/h and 175 m³/h.
- Version with advanced timer and humidity sensor: the appliance is equipped with a pcb that includes a humidity sensor capable of activating the system automatically when ambient relative humidity values exceed a given threshold, which can be set by the installer at four values: 60%, 70%, 80%, 90% RH (70% is the factory setting); the pcb also allows delayed switch-on and/or switch-off at the minimum or maximum speed.
- Equipped with non-return damper preventing unwanted backdraught when the fan is off.
- IMQ safety certification.

CURVES

□

PER INFORMAZIONI:

Servizio al Cliente: tel +39 02 90699395 premendo 1 dopo messaggio registrato (consulenza su prodotti e impianti)

Pre & Post Vendita: fax +39 02 90699302

Email prevendita: prevendita@vortice-italy.com