

Technical Data Sheet

CODE 11139

MF 100/4" T HCS LL

Wall axial fans



Certifications



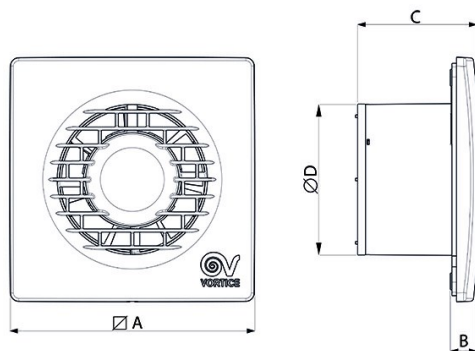
IMQ Performance



TECHNICAL AND PERFORMANCE DATA

| | | | |
|---|---------|-------------------------------------|------|
| Absorbed Current max (A) | 0,09 | Weight (Kg) | 0,52 |
| Absorbed Power max (W) | 15 | Delivery max (l/s) | 24 |
| Frequency (Hz) | 50 | Delivery max (m ³ /h) | 85 |
| Insulation Class | II° | Pressure max (mmH2O) | 3 |
| IP | X4 | Pressure max (Pa) | 29 |
| Max ambient temperature for continuous operation (°C) | 50 | RPM | 2400 |
| Voltage (V) | 220-240 | Sound Pressure level Lp [dB (A)] 3m | 31 |

DIMENSIONS



| | |
|----------------------|-----|
| Etichetta Energetica | N0 |
| Size A (mm) | 159 |
| Size B (mm) | 17 |
| Size C (mm) | 77 |
| Size D (mm) | 98 |

PER INFORMAZIONI:

Servizio al Cliente: tel +39 02 90699395 premendo 1 dopo messaggio registrato (consulenza su prodotti e impianti)

Pre & Post Vendita: fax +39 02 90699302

Email prevendita: prevendita@vortice-italy.com

Technical Data Sheet

CODE 11139

MF 100/4" T HCS LL

Wall axial fans



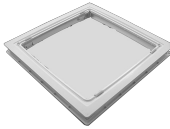
DESCRIPTION

- Material: UV resistant plastic (prevents ageing caused by exposure to sunlight).
- Nominal diameter 100 mm.
- Motor protected against thermal overload, with shaft turning in ball bearings, coupled to screw type thermoplastic impeller with wing profile blades.
- Maximum air flow: 85 m³/h.
- Electronic pcb with humidistat function piloted by RH sensor (4 preset thresholds: 60%, 70%, 80%, 90%, selectable during installation), designed to switch on the fan automatically. The pcb incorporates an electronic timer that shuts off the motor automatically when relative humidity returns below the threshold value. The timer setting is selectable during installation in the range 3'-20' (default setting 3').
- Non-return damper fitted to outlet port.
- IMQ SAFETY and IMQ PERFORMANCE certifications.
- Vortice speed controller.

CURVES

□

ACCESSORIES



SF 90-100

Code 22162

PER INFORMAZIONI:

Servizio al Cliente: tel +39 02 90699395 premendo 1 dopo messaggio registrato (consulenza su prodotti e impianti)

Pre & Post Vendita: fax +39 02 90699302

Email prevendita: prevendita@vortice-italy.com