



ubbink



ubbink

The Netherlands

Ubbink BV
Verhuellweg 9
NL - 6984 AA Doesburg
Tel. +31 (0) 313 480 300
Fax +31 (0) 313 473 942
productadvieslijn@ubbink.nl

UK

Ubbink UK Ltd.
Unit 33
Liliput Road
Brackmills Industrial Estate
GB - NN4 7DT Northampton
Northamptonshire
Tel. +44 (0) 1604 433 000
Fax +44 (0) 1604 433 001
info@ubbink.co.uk

Belgium

Ubbink nv
Jan Samijnstraat 9
B - 9050 Gentbrugge
Tel. +32 (0) 923 711 00
Fax +32 (0) 923 711 29
info.bouw@ubbink.be

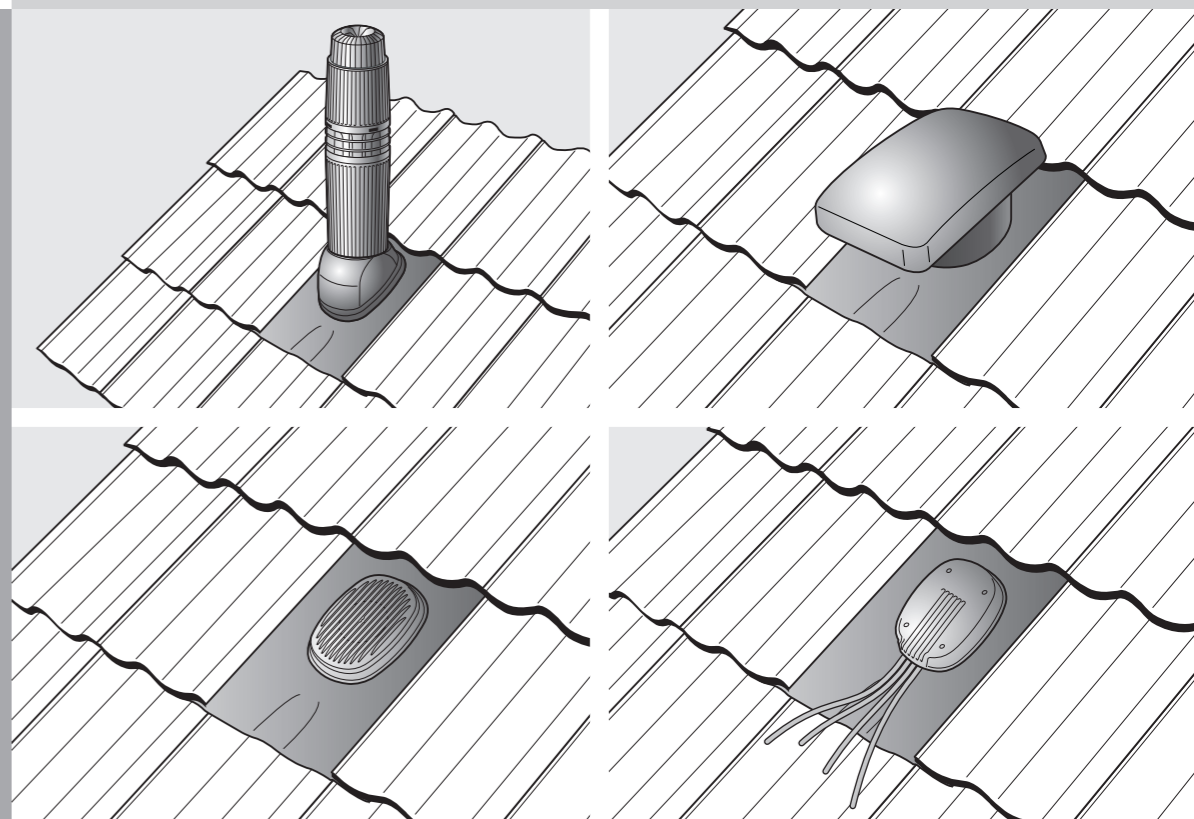
France

Ubbink France S.A.S.
13, rue de Bretagne – Z.A. Malabry – BP4301
F - 44243 La Chapelle Sur Erdre Cedex
Tel. +33 (0) 251 134 646
Fax +33 (0) 251 134 546
ubbink@ubbink.fr

Italy

CENTROTHERM Gas Flue
Technologies Italia S.R.L.
Via Antonio Meucci 1
I - 37024 Arbizzano VR
Tel. +39 (0) 45 60 20 433
Fax +39 (0) 45 60 20 505
info@centrotherm.it

Ubiflex roof tile

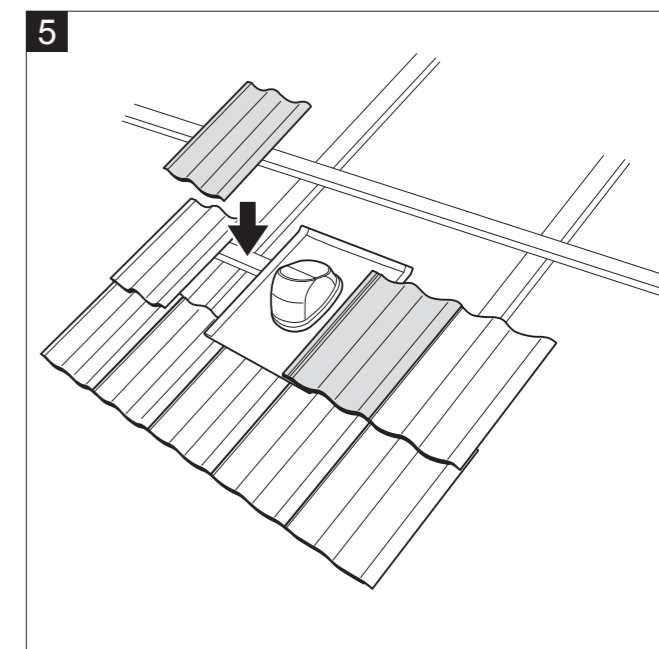
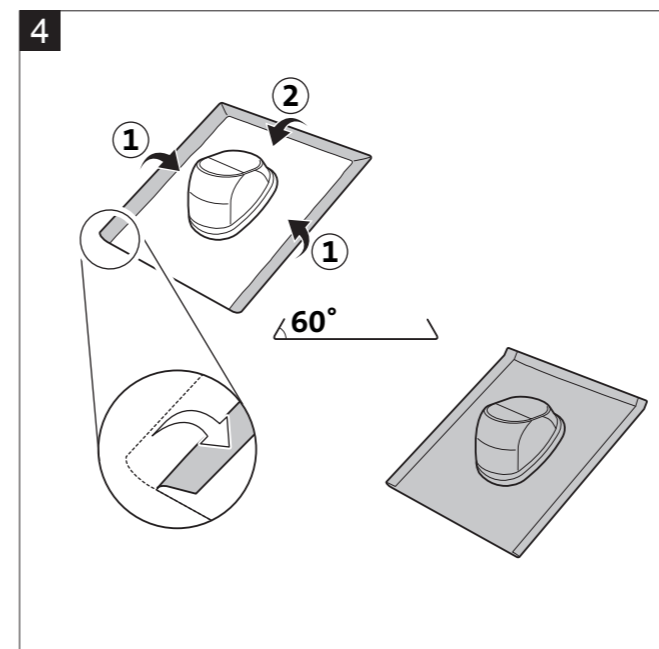
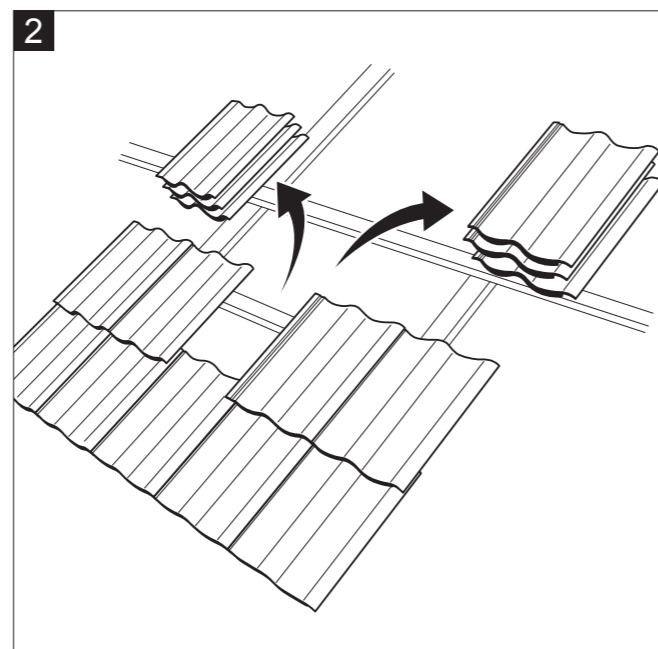
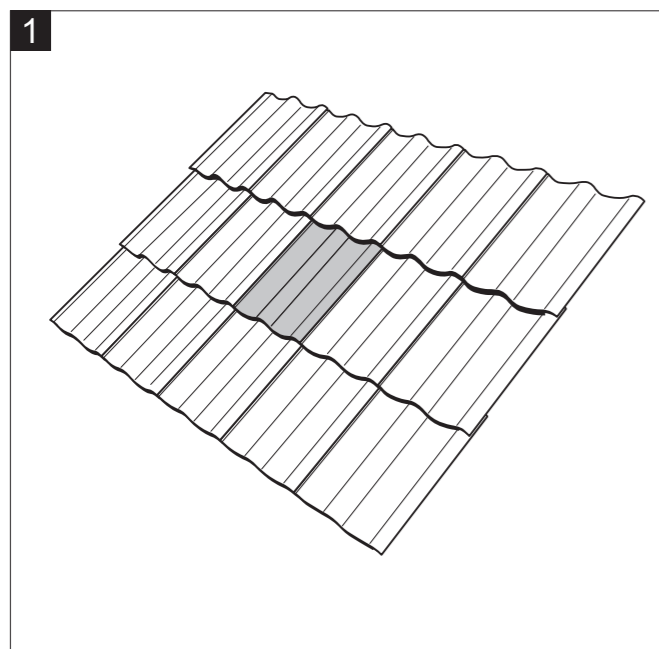


➤ **Montage-instructie**
Installation Instructions
Notice de montage
Montageanleitung
Istruzioni di montaggio
Manual de montaje

Subject to misprint.
All rights reserved and we explicitly exclude any liability
arising of or in connection with this document.

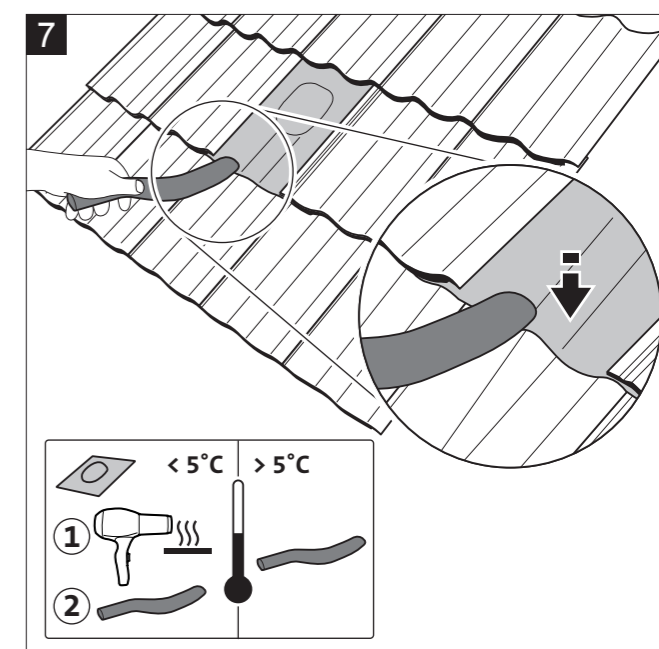
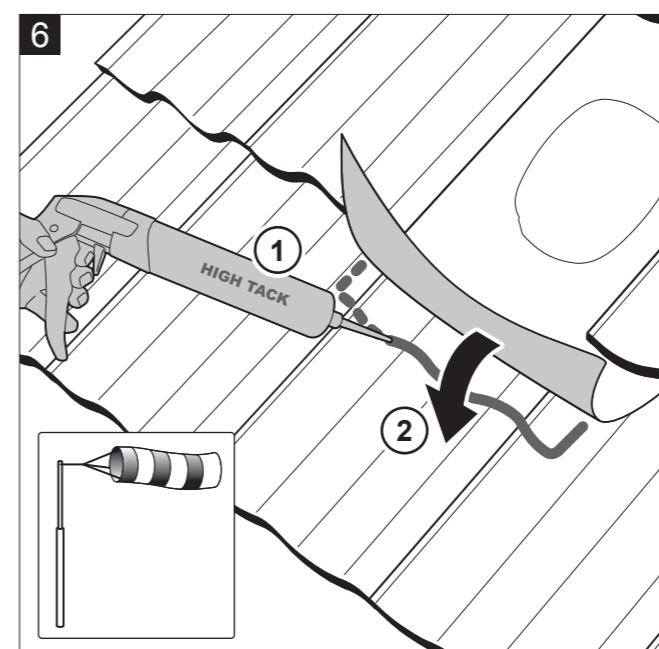
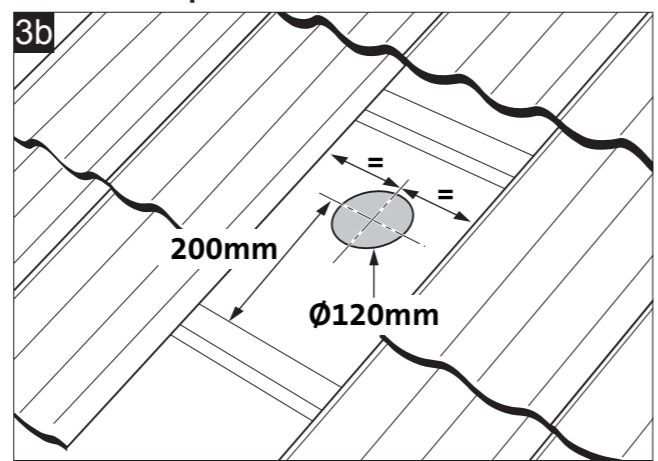
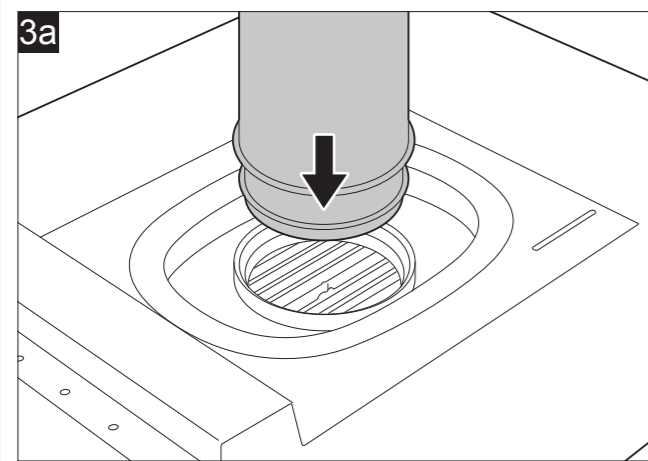
10000072449_v121218

Always work according to safety and health regulations.
Take proper fall prevention measures.



NL - Voorbereiding rioolontspanningspan
 EN - Preparation soil and vent pipe
 FR - Positionnement ventilation de chute

DE - Vorbereitung für Entlüftungsrohr
 IT - Preparazione per esalatore
 ES - Preparación del posicionamiento de la descompresión



NL - Met metalen ondersteuningsplaat
 EN - With metal support plate
 FR - Avec support metallique

DE - Pfanne mit Metallgrundplatte
 IT - Con piastra in metallo
 ES - Con soporte metálico

