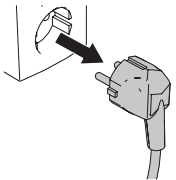
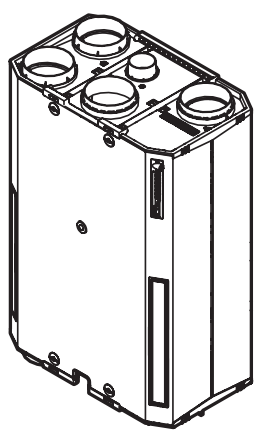
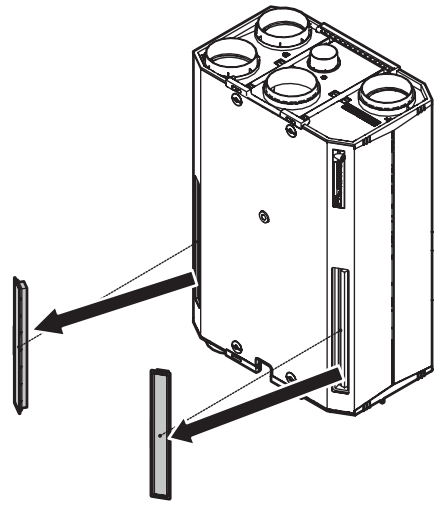


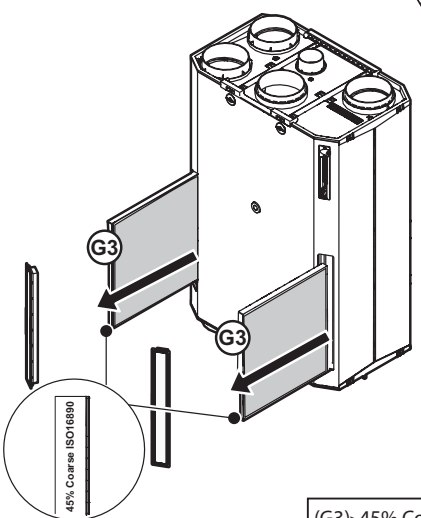
1



2

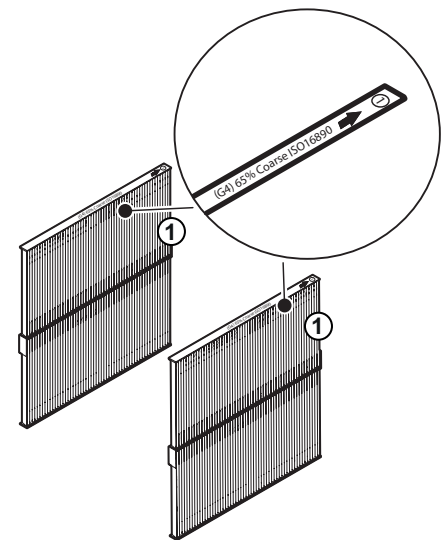


3



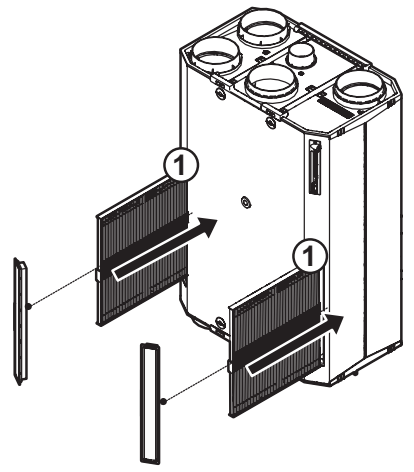
(G3)>45% Coarse ISO16890

4

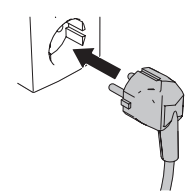
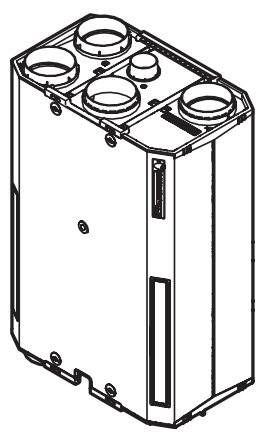


(G4) 65% Coarse ISO16890
(F7) 70% ePM1 ISO16890

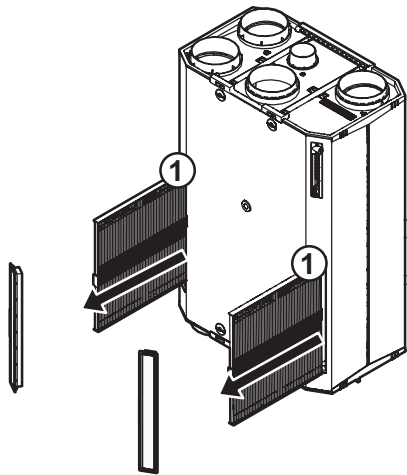
5



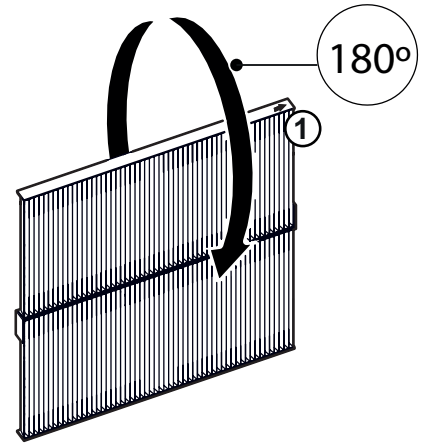
6



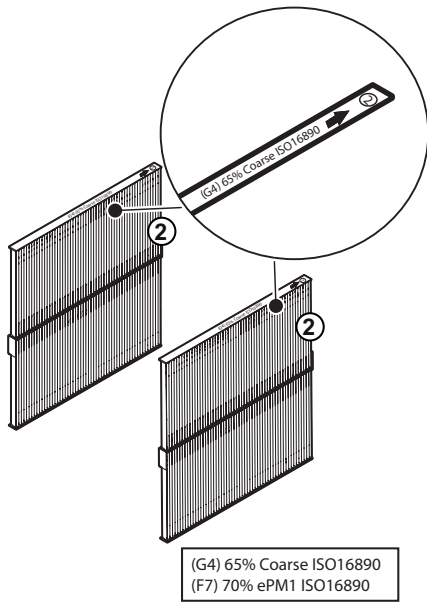
7



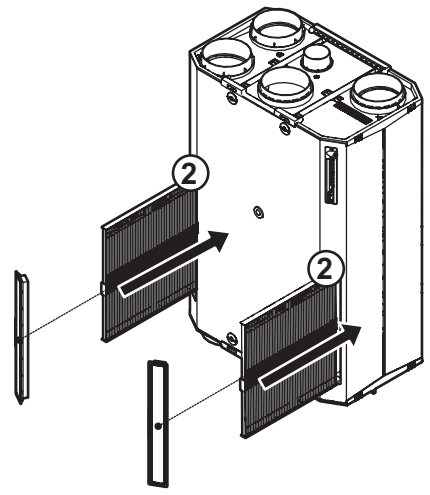
8



9



10



11

