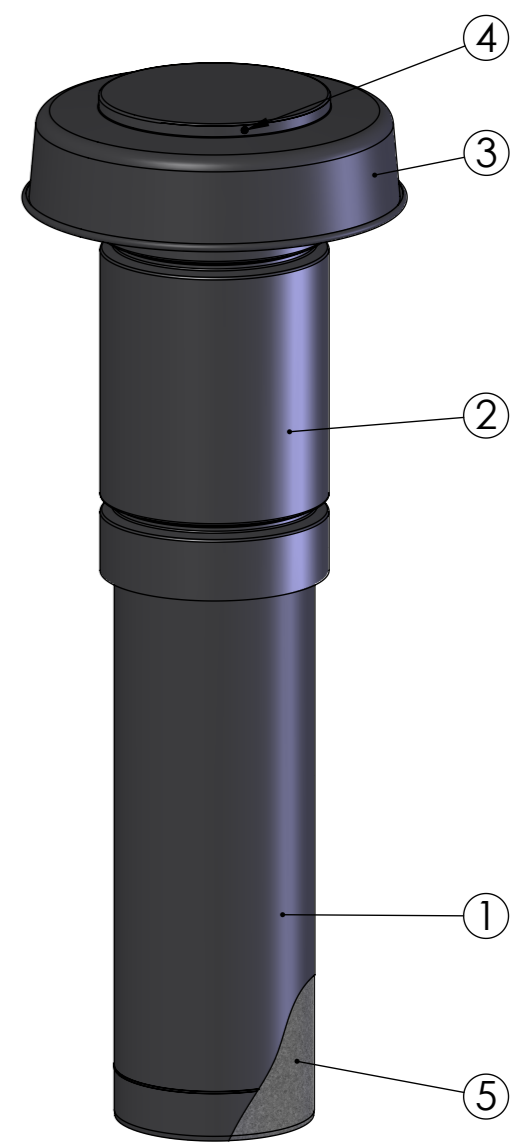
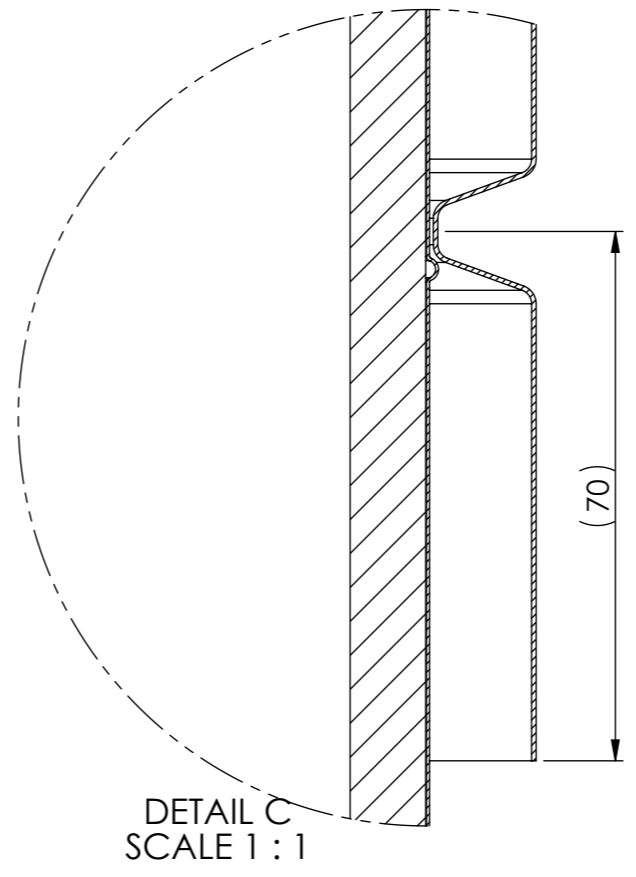
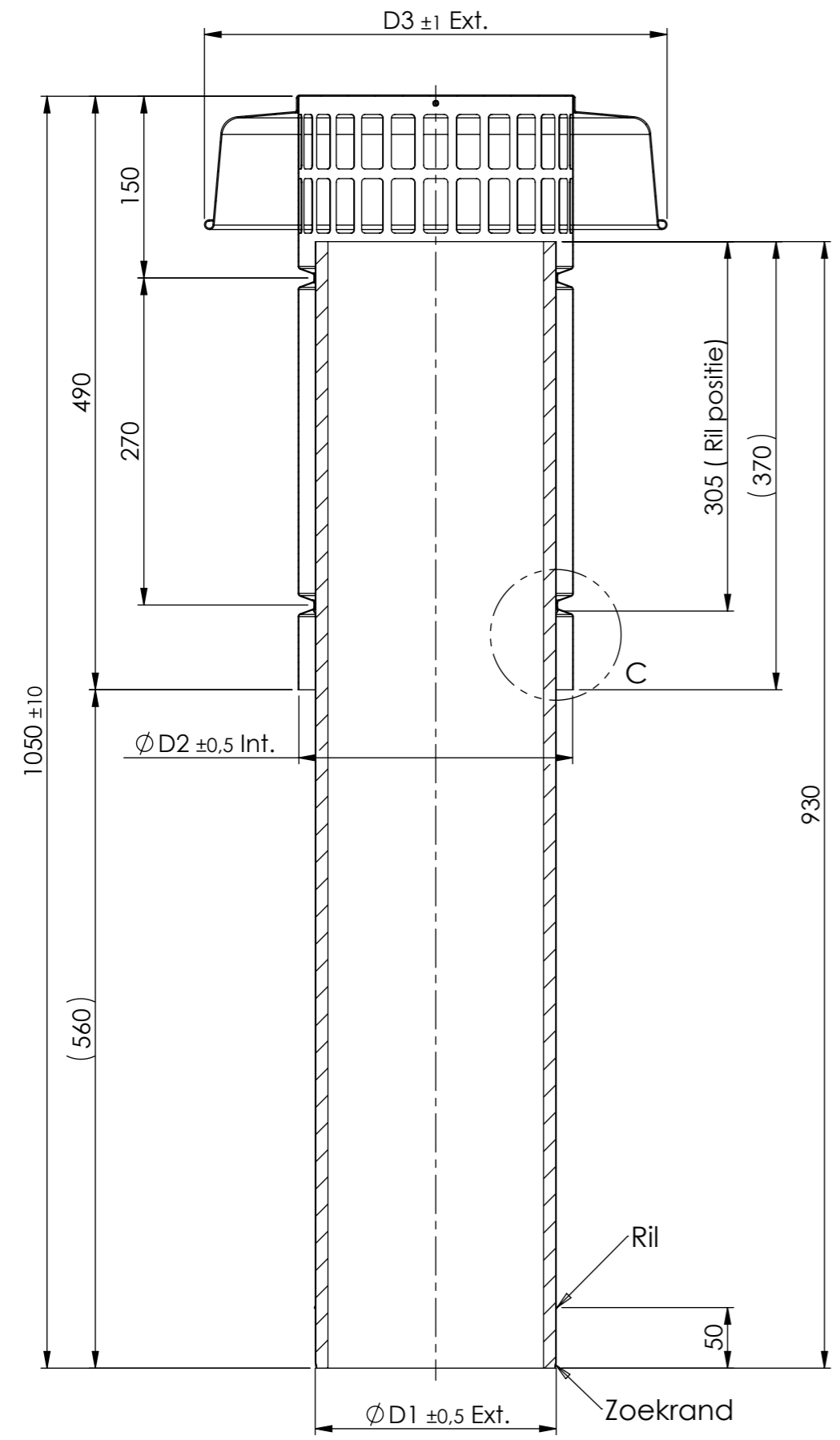


This drawing is property of Cox Geelen and may not be copied in whole or in part without the prior written consent of the owner

Type	D1	D2	D3	Coxtrek cover type
160	159	176	325	Angled cover
180	179	206	359	Flat cover
200	199	226	382	Flat cover
250	249	269	415	Angled cover

01


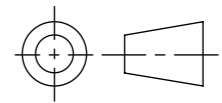


Pos.	QTY.	Description	Material	Drawing	Part nr
5	1	Insulation foam	PE Insulation Foam	L0773	890234
4	3	Self-tapping torx screw 3.9 x 13	Galvanized	-	890043
3	1	Coxtrek cover	EN-AW-1050A	A0816	-
2	1	Roof Terminal - Upper Part	DX52D	-	-
1	1	Roof Terminal $\varnothing 200$ - Lower Part	DX52D	-	-

Scale: 1:5 Unit of measure: mm Material: -
 Comments: Thickness of coating: >70µm

Title: **Coxtrek Roof Terminal with insulation**

CAD Model: DDV Coxtrek with insulation
 Configuration: Verzameltek. (D200)

 Cox Geelen www.coxgeelen.com	Tolerances: $\varnothing = \pm 0,5$ $L = \pm 3$ $< = \pm 3^\circ$	Projection: 	Dwg. no. : A3867P01 A3
	Revisions		

Revisions	Created	Checked
01 Row added	17006 15-03-2017 D. Hendrix	E. Klein
00 Production drawing	16033 21-02-2017 M. Ubags	L. Goessen