

CR60

Optimised circular fire damper 60-90'



CE
0749













Table of content

Declaration of performance	4
Product presentation CR60	5
Range and dimensions CR60	5
Variant CR60-L500	6
Range and dimensions CR60-L500	6
Variant CR60-1S	7
Range and dimensions CR60-1S	7
Variant CR60-1S-L500	8
Range and dimensions CR60-1S-L500	8
Evolution - kits	9
Options - at the time of order	10
Storage and handling	11
Installation	11
Installation at a minimal distance from another damper or from an adjacent supporting construction	12
Installation in rigid wall and floor	13
Installation in flexible wall (metal stud gypsum plasterboard wall)	15
Installation in flexible wall (metal stud gypsum plasterboard wall), sealing with gypsum	17
Installation in gypsum block wall	19
Installation in flexible and rigid wall, sealing with rigid rock wool boards with coating	21
Installation in rigid floor, sealing with rigid rock wool boards with coating	24
Installation in rigid wall with collar for surface-mount 1s	26
Installation in flexible wall with collar for surface-mount 1s	27
Installation in shaft wall with collar for surface-mount 1s	28
Installation remote from the wall, sealing and insulation with rigid rock wool boards with coating	29
Installation remote from the wall, sealing with mortar and insulation with rigid rock wool boards with coating	32
Installation remote from the wall + GEOFLAM	34
Inspection of the damper	37
Operation and mechanisms	38
Electrical connection	41
Weights	42
Selection graphs	43
Example	44
Selection data	44
Correction factor ΔL	45
Sample order	45
Approvals and certificates	45

Explanation of the abbreviations and pictograms

Wn = nominal width	E.TELE = power supply magnet	Sn = free air passage
Hn = nominal height	E.ALIM = power supply motor	ζ [-] = pressure loss coefficient
Dn = nominal diameter	V = volt	Q = air flow
E = integrity	W = watt	ΔP = static pressure drop
I = thermal insulation	Auto = automatic	v = air speed in the duct
S = smoke leakage	Tele = remote controlled	Lwa = A-weighted sound power level
Pa = pascal	Pnom = nominal capacity	Lw oct = sound power level per octave midband
ve = vertical wall penetration	Pmax = maximum capacity	dB(A) = A-weighted decibel value
ho = horizontal floor penetration	GKB (type A) / GKF (type F): "GKB"	ΔL = correction factor
o -> i = meets the criteria from the outside (o) to the inside (i)	stands for standard plasterboards (type A according to EN 520) while "GKF" plasterboards offer a higher fire resistance for a similar plate thickness (type F according to EN 520)	
i <-> o = fire side not important	Cal-Sil = calcium silicate	
V AC = Volt alternating current	OP = option (delivered with the product)	
V DC = Volt direct current	KIT = kit (delivered separately for repair or upgrade)	
	PG = connection flange to the duct	

	air-tightness class C according to EN1751		higher net building volume through compact size
	optimal acoustic performance		optimal free air passage and minimal pressure loss
	minimal distance allowed		suitable for built-in installation
	suitable for surface-mount		suitable for installation remote from the wall
	sealing with fire resistant stone wool boards allowed, also for asymmetric opening		fast installation

DECLARATION OF PERFORMANCE

CE_DoP_Rf-t_C9_EN - I-11/2019

1. Unique identification code of the product-type:	CR60
2. Intended use(s):	Circular fire damper to be used in conjunction with partitions to maintain fire compartments in heating, ventilating and air conditioning installations.
3. Manufacturer:	RF-Technologies NV, Lange Ambachtstraat 40, B-9860 Oosterzele
4. System/s of AVCP:	System 1
5. Harmonised standard / European Assessment Document/notified body / European Technical Assessment/ Technical Assessment Body, notified body/certificate of constancy of performance:	EN 15650:2010, BCCA with identification number 0749; BCCA-0749-CPR-BCT-606-0464-15650.02-2517
6. Declared performance according to EN 15650:2010	(Fire resistance according to EN 1366-2 and classifications according to EN 13501-3)

Essential characteristics	Wall type	Wall	Sealing	Performance	
				Inst.	Classification
Range Ø 100-125-150-160-180-200-250-300-315 mm	Rigid wall	Aerated concrete ≥ 100 mm	Mortar / Gypsum	1	EI 90 (V _e , I ↔ O) S - (500 Pa)
			Stone wool + coating ≥ 140 kg/m ³	1	EI 60 (V _e , I ↔ O) S - (300 Pa)
			Galvanised duct + stone wool + coating ≥ 150 kg/m ³ 1x60 mm	2	EI 60 (V _e , I ↔ O) S - (300 Pa)
			Galvanised duct + stone wool + coating ≥ 140 kg/m ³ 2x50 mm	2	EI 90 (V _e , I ↔ O) S - (300 Pa)
			Galvanised duct + stone wool + coating ≥ 140 kg/m ³ 2x50 mm + mortar	2	EI 90 (V _e , I ↔ O) S - (300 Pa)
			Galvanised duct + GEOFLAM® F 45 mm + mortar	2	EI 90 (V _e , I ↔ O) S - (500 Pa)
			Galvanised duct + GEOFLAM® Light 35 mm + mortar	2	EI 90 (V _e , I ↔ O) S - (500 Pa)
			Mortar	3	EI 90 (V _e , I ↔ O) S - (500 Pa)
			Stone wool + coating ≥ 140 kg/m ³	3	EI 90 (V _e , I ↔ O) S - (300 Pa)
			Gypsum	1	EI 60 (V _e , I ↔ O) S - (500 Pa)
Rigid floor	Aerated concrete ≥ 100 mm	Metal studs gypsum plasterboard Type A (EN 520) ≥ 100 mm	Stone wool + coating ≥ 140 kg/m ³	1	EI 60 (V _e , I ↔ O) S - (300 Pa)
			Galvanised duct + stone wool + coating ≥ 150 kg/m ³ 1x60 mm	2	EI 60 (V _e , I ↔ O) S - (300 Pa)
			Galvanised duct + stone wool + coating ≥ 140 kg/m ³ 2x50 mm	2	EI 60 (V _e , I ↔ O) S - (300 Pa)
			Gypsum	1	EI 90 (V _e , I ↔ O) S - (500 Pa)
			Stone wool + coating ≥ 140 kg/m ³	2	EI 90 (V _e , I ↔ O) S - (300 Pa)
			Block glue	1	EI 90 (V _e , I ↔ O) S - (500 Pa)
			Stone wool ≥ 40 kg/m ³ + cover plates	1	EI 60 (V _e , I ↔ O) S - (500 Pa)
			Not applicable	4	EI 60 (V _e , I ↔ O) S - (500 Pa)
			Not applicable	4	EI 60 (V _e , I ↔ O) S - (500 Pa)
			Not applicable	4	EI 60 (V _e , I ↔ O) S - (500 Pa)
Flexible wall	Metal studs gypsum plasterboard Type F (EN 520) ≥ 100 mm	Metal studs gypsum plasterboard Type F (EN 520) ≥ 100 mm	Stone wool + coating ≥ 140 kg/m ³	1	EI 90 (V _e , I ↔ O) S - (500 Pa)
			Galvanised duct + stone wool + coating ≥ 140 kg/m ³ 2x50 mm	2	EI 90 (V _e , I ↔ O) S - (300 Pa)
			Gypsum	1	EI 90 (V _e , I ↔ O) S - (500 Pa)
			Stone wool + coating ≥ 140 kg/m ³	2	EI 90 (V _e , I ↔ O) S - (300 Pa)
			Block glue	1	EI 90 (V _e , I ↔ O) S - (500 Pa)
			Stone wool ≥ 40 kg/m ³ + cover plates	1	EI 60 (V _e , I ↔ O) S - (500 Pa)
			Not applicable	4	EI 60 (V _e , I ↔ O) S - (500 Pa)
			Not applicable	4	EI 60 (V _e , I ↔ O) S - (500 Pa)
			Not applicable	4	EI 60 (V _e , I ↔ O) S - (500 Pa)
			Not applicable	4	EI 60 (V _e , I ↔ O) S - (500 Pa)
Flexible wall	Asymmetrical flexible wall (shaft wall)	Metal studs gypsum plasterboard Type A (EN 520) ≥ 100 - ≤ 125 mm Metal studs gypsum plasterboard Type F (EN 520) ≥ 80 mm	Stone wool + coating ≥ 140 kg/m ³	1	EI 90 (V _e , I ↔ O) S - (500 Pa)
			Galvanised duct + stone wool + coating ≥ 140 kg/m ³ 2x50 mm	2	EI 90 (V _e , I ↔ O) S - (300 Pa)
			Block glue	1	EI 90 (V _e , I ↔ O) S - (500 Pa)
			Stone wool ≥ 40 kg/m ³ + cover plates	1	EI 60 (V _e , I ↔ O) S - (500 Pa)
			Not applicable	4	EI 60 (V _e , I ↔ O) S - (500 Pa)
			Not applicable	4	EI 60 (V _e , I ↔ O) S - (500 Pa)
			Not applicable	4	EI 60 (V _e , I ↔ O) S - (500 Pa)
			Not applicable	4	EI 60 (V _e , I ↔ O) S - (500 Pa)
			Not applicable	4	EI 60 (V _e , I ↔ O) S - (500 Pa)
			Not applicable	4	EI 60 (V _e , I ↔ O) S - (500 Pa)

Harmonised standard
EN 15650:2010

1	Type of installation: built-in, 0-360°. Minimal distances authorised with axis till 45°.	
2	Type of installation: remote from the wall, 0/180°. Minimal distances authorised.	
3	Type of installation: built-in, 0-360°. Minimal distances authorised.	
4	Type of installation: surface-mounted, 0/180° (500 Pa), 0-360° (300 Pa). Minimal distances authorised with axis till 45°.	

Nominal activation conditions/sensitivity:	Pass
Response delay (response time): closure time	Pass
Operational reliability: cycling	MFUS - 50 cycles; MMAG - 300 cycles; BU(J)T) - 10000 cycles; BEL(T) - 10000 cycles; UNIQ - 10000 cycles
Durability of response delay:	Pass
Durability of operational reliability:	Pass
Protection against corrosion according to EN 60068-2-52:	Pass
Damper casing leakage according to EN 1751:	≥ class C

The performance of the product identified above is in conformity with the set of declared performance/s. This declaration of performance is issued, in accordance with Regulation (EU) No 305/2011, under the sole responsibility of the manufacturer identified above.

Signed for and on behalf of the manufacturer by:

Mathieu Steenland, Technical Manager



Oosterzele, 11/2019

Product presentation CR60

Optimised circular fire damper with a minimum fire resistance of 60 minutes. A minimal pressure loss is guaranteed thanks to the thin blade, the fusible link aligned with the blade, and the transmission located outside the tunnel. The damper is available in small diameters (starting from 100 mm). Its galvanised steel tunnel contributes to the light weight of the damper.

Fire dampers are installed where air ducts penetrate fire-resistant compartment walls. Their role is to restore the fire resistance grade of the penetrated wall and to prevent smoke propagation. Fire dampers are distinguished by their degree of fire resistance, by their aerualic properties as well as by their installation ease. Rf-Technologies' fire dampers are all CE marked. They can be equipped with various types of mechanisms depending on the specific needs linked to the project or to the local regulations.

- ✓ easy to install
- ✓ optimal free air passage and minimal pressure loss
- ✓ optimal acoustic performance
- ✓ higher net building volume through compact size
- ✓ air-tightness class C according to EN1751



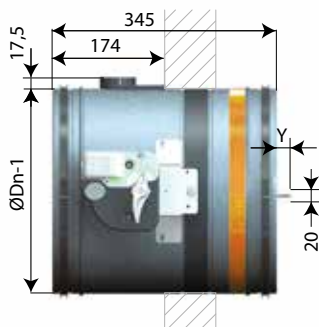
- suitable for built-in and surface-mounted installation (CR60-1S)
- suitable for installation remote from the wall
- minimal distance allowed
- suitable for rigid wall, rigid floor and light wall (metal stud gypsum plasterboard wall)
- sealing with fire resistant stone wool boards allowed, also for asymmetric opening
- tested according to EN 1366-2 up to 500 Pa
- operating mechanism outside the wall
- maintenance-free
- for indoor use
- operating temperature: max. 50°C
- Hygiene-Konformitätsprüfung (www.HYG.de)

1. casing in galvanised steel
2. damper blade
3. operating mechanism
4. rubber sealing ring
5. intumescent strip
6. base plate for thermo-electrical fuse
7. positioning plate
8. sealing ring for damper blade
9. fusible link
10. product identification



Range and dimensions CR60

Exceeding damper blade: 20 mm for ØDn 315 mm



ØDn (mm)	315
x	-
y	20

ØDn (mm)	100	125	150	160	180	200	250	300	315
----------	-----	-----	-----	-----	-----	-----	-----	-----	-----

Variant CR60-L500

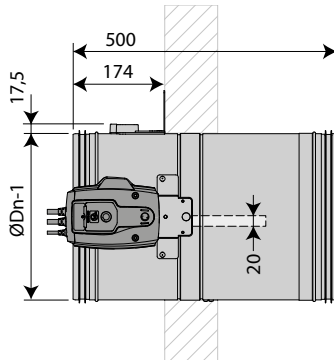
Variant CR60-L500

CR60 damper with a tunnel casing extension at the wall side to facilitate the connection to the duct when the supporting construction is thicker than 100 mm.

1. casing in galvanised steel
2. damper blade
3. operating mechanism
4. rubber sealing ring
5. intumescent strip
6. base plate for thermo-electrical fuse
7. positioning plate
8. sealing ring for damper blade
9. fusible link
10. extended casing



Range and dimensions CR60-L500



ØDn (mm)	100	125	150	160	180	200	250	300	315
----------	-----	-----	-----	-----	-----	-----	-----	-----	-----

Variant CR60-1S

Surface mounted circular fire damper with a fire resistance of 60 minutes. The surface mounting ensures a fast (dry) installation. Its thin blade, the fusible link aligned with the blade, and the transmission located outside the tunnel guarantee a minimum pressure loss. The damper is available in small diameters (starting from 100 mm).

- ☑ no specific tools, no sealing required
- ☑ fast installation
- ☑ air-tightness class C according to EN1751



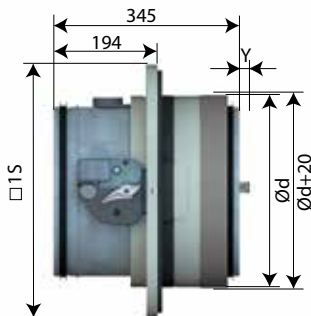
- suitable for surface-mount in rigid wall, rigid floor and light wall (metal stud gypsum plasterboard wall)
- not available in diameter 150, 180 and 300 mm
- minimal distance allowed

1. fire damper
2. upper mounting collar
3. lower mounting collar
4. graphite strip
5. sealing cold smoke
6. tape



Range and dimensions CR60-1S

Exceeding damper blade: 20 mm for ØDn 315 mm



ØDn (mm)	315
x	-
y	20

ØDn (mm)	100	125	160	200	250	315
-----------------	------------	------------	------------	------------	------------	------------

ØDn	□1s	Ød	Ø
100	279	160	180
125	299	180	200
160	339	220	240
200	374	255	275
250	419	300	320
315	474	355	375



Variant CR60-1S-L500

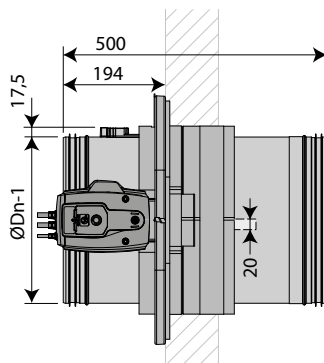
Variant CR60-1S-L500

CR60-1S damper with a tunnel casing extension at the wall side to facilitate the connection to the duct when the supporting construction is thicker than 100 mm.


1. fire damper
2. upper mounting collar
3. lower mounting collar
4. graphite strip
5. sealing cold smoke
6. tape



Range and dimensions CR60-1S-L500

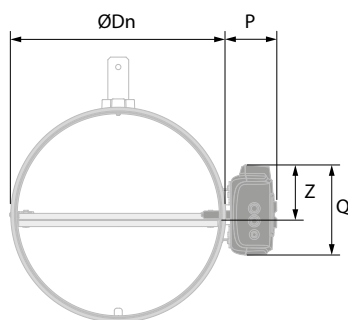


ØDn [mm]	100	125	160	200	250	315
----------	-----	-----	-----	-----	-----	-----

ØDn	□ 1s	Ød	Ø 
100	279	160	180
125	299	180	200
160	339	220	240
200	374	255	275
250	419	300	320
315	474	355	375







CR60 + ONE





	MFUS	ONE	BFL(T)
P	72	80	63
Q	123	136	100
Z	70	75	58

Evolution - kits

	KITS MFUS	Automatic unlocking mechanism with fusible link
	KITS BFL24	Spring return actuator BFL 24V
	KITS BFL24-ST	Spring return actuator BFL 24V with plug (ST)
	KITS BFLT24	Spring return actuator BFL 24V with thermo-electric fuse (T)
	KITS BFLT24-ST	Spring return actuator BFL 24V with thermo-electric fuse (T) and plug (ST)
	KITS BFL230	Spring return actuator BFL 230V
	KITS BFLT230	Spring return actuator BFL 230V with thermo-electric fuse (T)
		KITS BFN24
	KITS ONE T 24 FDCU	Spring return actuator ONE 24V (with fusible link T) + unipolar beginning- and end-of-range switch
	KITS ONE T 24 FDCB	Spring return actuator ONE 24V (with fusible link T) + bipolar beginning- and end-of-range switch
	KITS ONE T 230 FDCU	Spring return actuator ONE 230V (with fusible link T) + unipolar beginning- and end-of-range switch
	KITS ONE T 230 FDCB	Spring return actuator ONE 230V (with fusible link T) + bipolar beginning- and end-of-range switch
	KITS FDCU MFUS(P)	Limit switch 'open/closed'
	KITS SN2 BFL/BFN	Auxiliary limit switch 'open/closed'
	KITS ZBAT 72	Black spare part for thermo-electric fuse for BFLT/BFNT
	KITS FUS 72 MFUS(P)	Fusible link 72°C

	<p>FUS72 ONE</p>	<p>Fusible link 72°C</p>
	<p>MECT</p>	<p>Testbox for mechanisms 24/48 V (magnet, motor, beginning and end of range switches)</p>
	<p>EPP CR60/120</p>	<p>Kit with 4 cover plates (gypsum plasterboard 12.5 mm) for CR60, CR120 in light wall.</p>
	<p>INSPECAM</p>	<p>Sturdy digital endoscope for the internal inspection of fire dampers through an optional inspection opening. The endoscope features a 1 meter long probe with a diameter of 8,2 mm equipped with a dimmable LED, a removable 4x zoom, a colour LCD monitor 3.5". Photographic capture 3MP and video capture 720P.</p>

Options - at the time of order

	<p>1S</p>	<p>Collar for circular surface-mount 1s (100-315 mm)</p>
	<p>UL</p>	<p>Inspection opening to visually determine the state and the position of the damper, by using an endoscope.</p>

Storage and handling

As this product is a safety element, it should be stored and handled with care.

Avoid:

- any kind of impact or damage
- contact with water
- deformation of the casing


It is recommended:

- to unload in a dry area
- not to flip or roll the product to move it
- not to use the damper as a scaffold, working table, etc.
- not to store smaller dampers inside larger ones

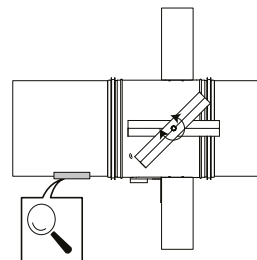
Installation

General points

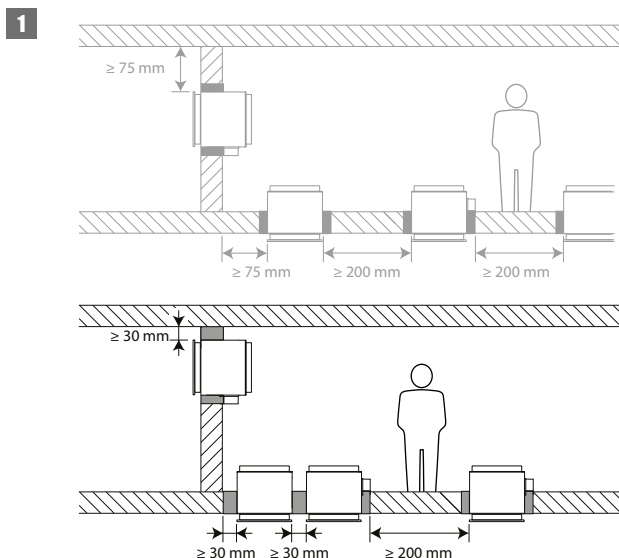
- The installation must comply with the installation manual delivered with the product and the classification report.
- Axis orientation: see the declaration of performance.
- Avoid obstruction of adjoining ducts.
- Product installation: always with closed damper blade.
- Verify if the blade can move freely.
- Please observe safety distances with respect to other construction elements. The operating mechanism must also remain accessible: allow for a clearance of 200 mm around the housing.
- The air tightness class will be maintained if the damper is installed according to the installation manual.
- Rf-t fire dampers are always tested in standardised constructions according to EN 1366-2. The achieved results are valid for similar supporting constructions with a fire resistance, thickness and density equal or superior to the supporting construction used during the test.
- The damper must remain accessible for inspection and maintenance.
- Schedule at least two running visual checks each year.

 TEST

2017	<input checked="" type="checkbox"/>		<input checked="" type="checkbox"/>
2018	<input checked="" type="checkbox"/>		<input checked="" type="checkbox"/>
2019	<input checked="" type="checkbox"/>		<input type="checkbox"/>
2020	<input type="checkbox"/>		<input type="checkbox"/>
2021	<input type="checkbox"/>		<input type="checkbox"/>



Installation at a minimal distance from another damper or from an adjacent supporting construction



1. Principle

According to the European test standard, a fire damper must be installed at a minimum distance of 75 mm from an adjacent wall and 200 mm from another damper, unless the solution was tested at a shorter distance.

This range of Rf-t fire dampers has been successfully tested and can be installed in a vertical or horizontal supporting construction, at a distance below the minimum set by the standard.

For circular dampers, the minimal distance is set to 30 mm.



2. Certified solution

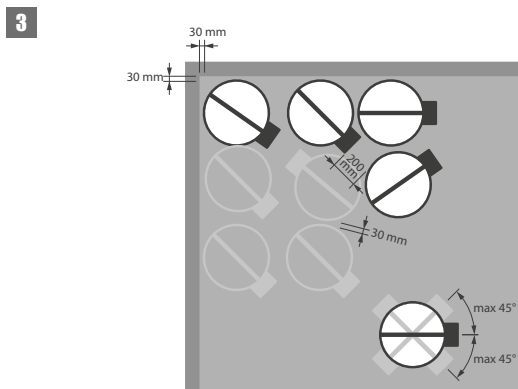
For the Rf-t fire dampers, the solution consists of the following elements: A: Universal sealing for minimal distance; B: Sealing compliant with existing classifications (Declaration of Performance).

A. Sealing of the opening at the side with minimal distances between damper and wall/ceiling: rigid stone wool panels (150 kg/m^3) are applied to a depth of 400 mm (for a wall of 100 mm for instance: 100 mm in the wall + 150 mm on each side of the wall).

The surface of this sealing is set between the axes (centres) of the dampers.

B. Sealing of the rest of the opening according to the existing classifications for the fire damper (Declaration of Performance). This sealing is therefore also applied between circular dampers that are mounted at a minimum distance from one another (30 to 200 mm) but at a distance greater than 75 mm from a wall/ceiling.

Details for each wall/sealing combination are given under the corresponding title of this installation guide.



3. Restrictions

In a vertical wall, the orientation of the blade axis should be horizontal or oriented at a maximum of 45° .

A maximum of 3 circular dampers can be installed at a minimum distance from one another, both vertically and horizontally (with a maximum cluster of 4 dampers).

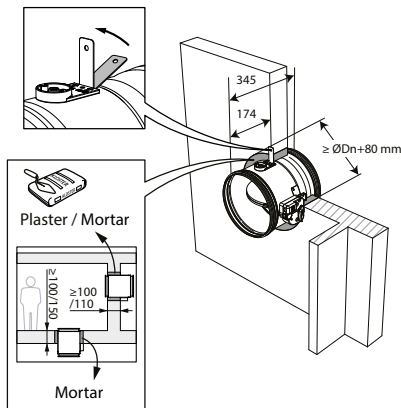
Note: when sealing the opening with panels of fire resistant stone wool, the maximum number of dampers also depends on the maximum "blank seal" allowed for the selected sealing material. Please refer to the manufacturer's instructions for this information.

Installation in rigid wall and floor

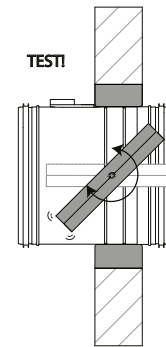
The product was tested and approved in:

Range	Wall type	Sealing	Classification
Ø 100-125-150-160-180-200-250-300-315 mm	Rigid wall	Aerated concrete ≥ 100 mm	EI 90 (v _e i ↔ o) S - (500 Pa)
Ø 100-125-150-160-180-200-250-300-315 mm	Rigid floor	Aerated concrete ≥ 100 mm	EI 90 (h _o i ↔ o) S - (500 Pa)

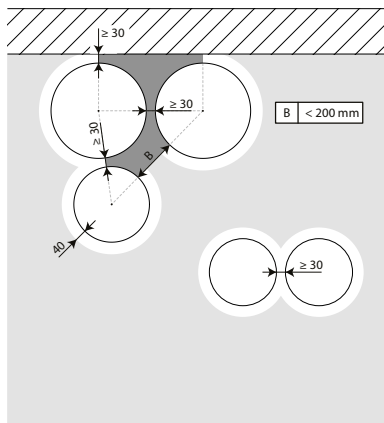
1



2

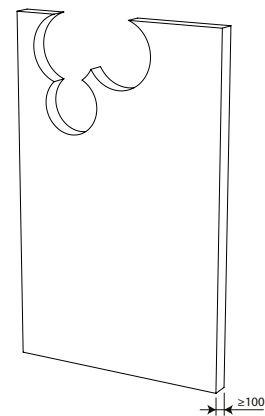


3



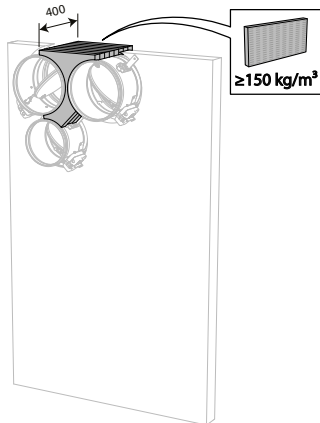
3. The dampers can be installed at a minimum distance (≥ 30 mm) from an adjacent wall or from another damper.

4



4. Make the necessary openings ($D_n + 80$ mm) in the wall.

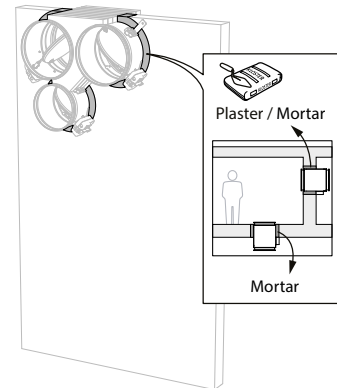
5



5. Mount the dampers in the opening.
 Apply rigid stone wool panels (150 kg/m^3) to a depth of 400 mm (150 mm on each side of the wall) to seal the opening at the side with minimal distances.
 The surface of this sealing is set between the axes (centres) of the dampers.

- ⚠ Caution:** the opening is sealed according to the existing classification (see next point) when:
- 2 fire dampers are installed at a minimum distance from one another but at a normal distance ($\geq 75 \text{ mm}$) from the wall or floor/ceiling.
 - One single (no cluster) fire damper is located at a minimum distance ($\leq 75 \text{ mm}$) from a wall or floor/ceiling.

6

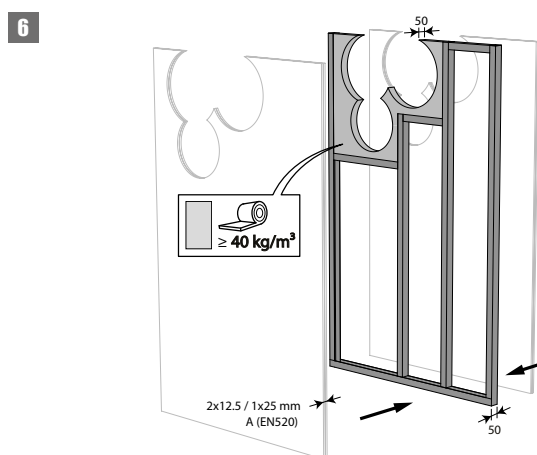
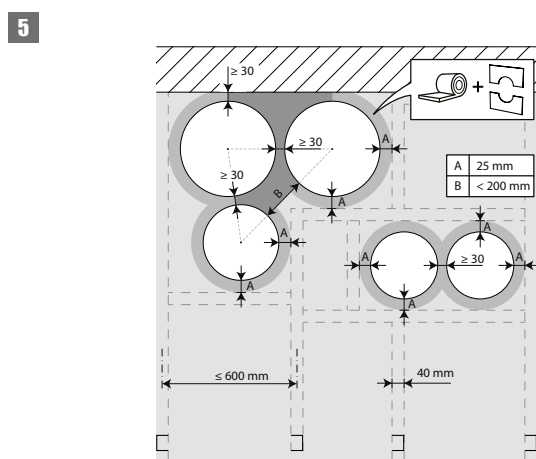
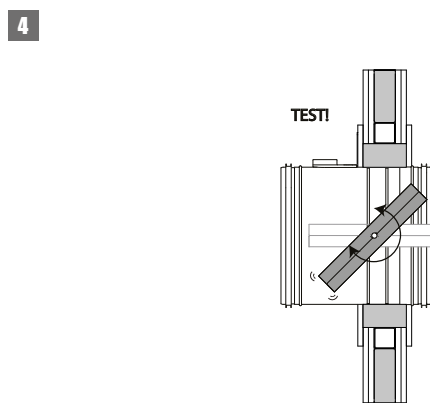
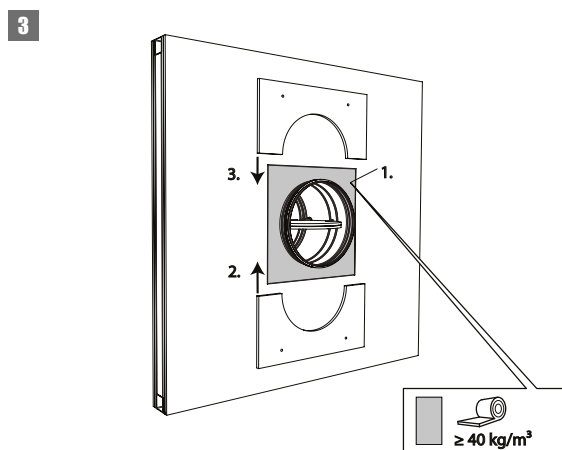
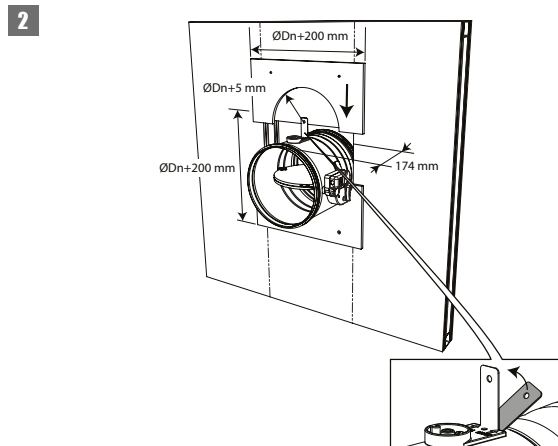
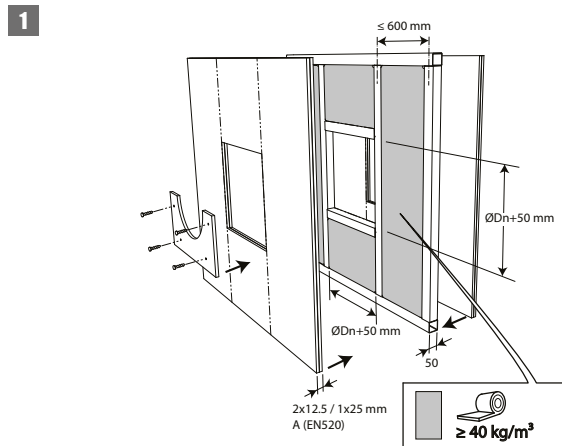


6. Seal the rest of the opening with standard mortar or gypsum (only for vertical walls).

Installation in flexible wall (metal stud gypsum plasterboard wall)

The product was tested and approved in:

Range	Wall type	Sealing	Classification
Ø 100-125-150-160-180-200-250 mm	Flexible wall	Stone wool ≥ 40 kg/m ³ + cover plates	EI 60 (v _e i ↔ o) S - (500 Pa)

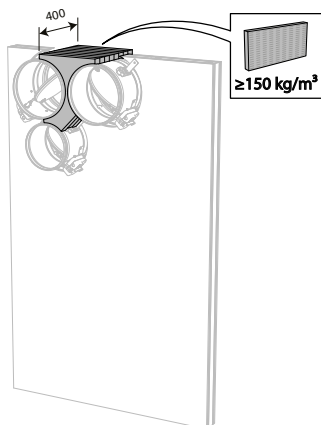


5. The dampers can be installed at a minimum distance (≥ 30 mm) from an adjacent wall or from another damper.

6. Build the drywall and foresee horizontal and vertical studs around the opening.

In the opening around the dampers (Dn + 50 mm), the void between the gypsum boards is filled with stone wool with a minimum density of 40 kg/m³.

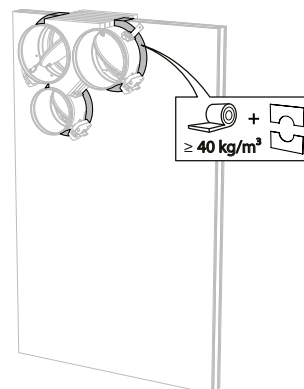
7



7. Mount the dampers in the opening.
Apply rigid stone wool panels (150 kg/m^3) to a depth of 400 mm (150 mm on each side of the wall) to seal the opening at the side with minimal distances.
The surface of this sealing is set between the axes (centres) of the dampers.

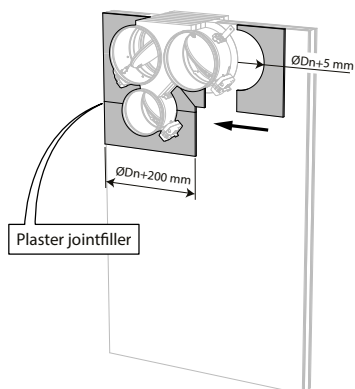
- ⚠ Caution:** the opening is sealed according to the existing classification (see next point) when:
- 2 fire dampers are installed at a minimum distance from one another but at a normal distance ($\geq 75 \text{ mm}$) from the wall or floor/ceiling.
 - One single (no cluster) fire damper is located at a minimum distance ($\leq 75 \text{ mm}$) from a wall or floor/ceiling.

8



8. Seal the rest of the opening with standard stone wool 40 kg/m^3 across the entire wall thickness.

9

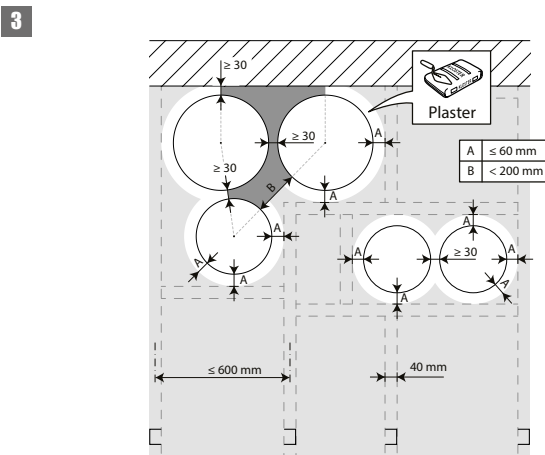
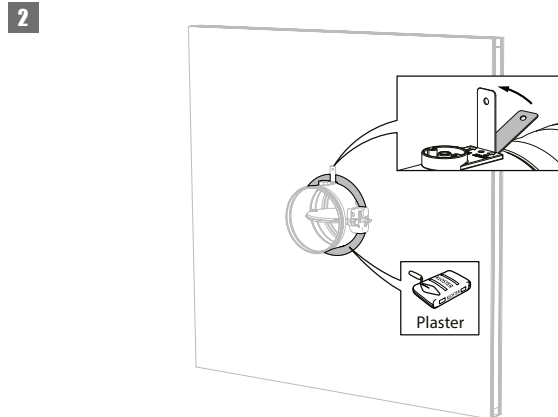
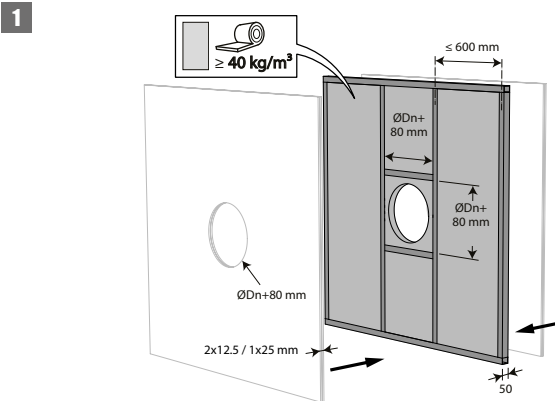


9. Apply cover plates (gypsum plasterboards) to finish the surface at both sides.
Seal off the space between the plasterboards with jointfiller.

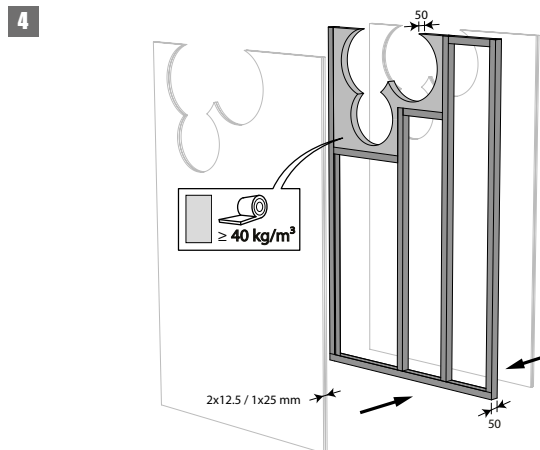
Installation in flexible wall (metal stud gypsum plasterboard wall), sealing with gypsum

The product was tested and approved in:

Range	Wall type	Sealing	Classification
Ø 100-125-150-160-180-200-250-300-315 mm	Flexible wall	Metal studs gypsum plasterboard Type A (EN 520) ≥ 100 mm	El 60 (v _e i ↔ o) S - (500 Pa)
Ø 100-125-150-160-180-200-250-300-315 mm	Flexible wall	Metal studs gypsum plasterboard Type F (EN 520) ≥ 100 mm	El 90 (v _e i ↔ o) S - (500 Pa)

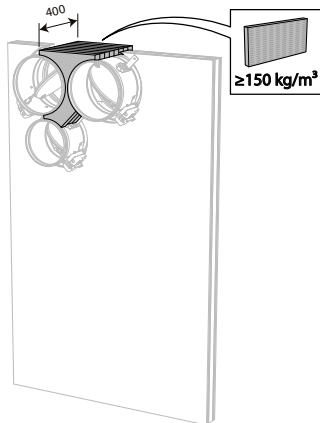


3. The dampers can be installed at a minimum distance (≥ 30 mm) from an adjacent wall or from another damper.



4. Build the drywall and foresee horizontal and vertical studs around the opening. In the opening around the dampers, the void between the gypsum boards is partially filled (up to $D_n + 40$ mm) with stone wool with a minimum density of 40 kg/m^3 .

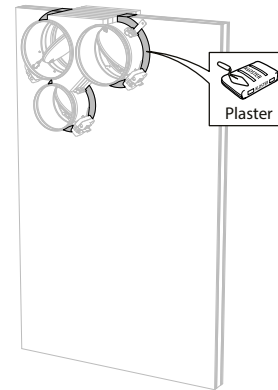
5



5. Mount the dampers in the opening.
Apply rigid stone wool panels (150 kg/m^3) to a depth of 400 mm (150 mm on each side of the wall) to seal the opening at the side with minimal distances.
The surface of this sealing is set between the axes (centres) of the dampers.

- ⚠ Caution:** the opening is sealed according to the existing classification (see next point) when:
- 2 fire dampers are installed at a minimum distance from one another but at a normal distance ($\geq 75 \text{ mm}$) from the wall or floor/ceiling.
 - One single (no cluster) fire damper is located at a minimum distance ($\leq 75 \text{ mm}$) from a wall or floor/ceiling.

6



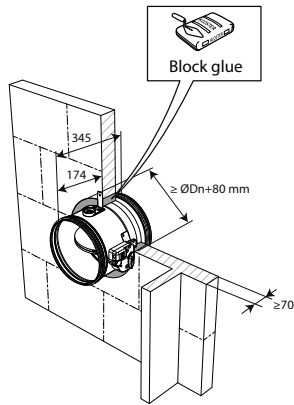
6. Seal the rest of the opening (40 mm) with standard gypsum across the entire wall thickness.

Installation in gypsum block wall

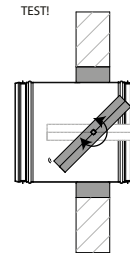
The product was tested and approved in:

Range	Wall type	Sealing	Classification
Ø 100-125-150-160-180-200-250-300-315 mm	Flexible wall	Gypsum blocks ≥ 70 mm	Block glue
			El 90 ($v_e i \leftrightarrow o$) S - (500 Pa)

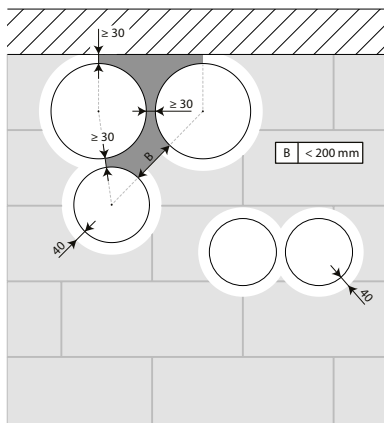
1



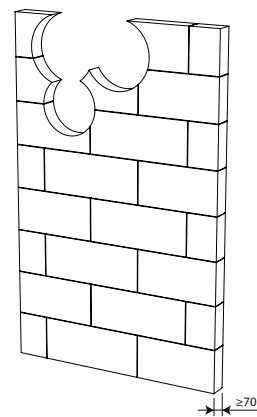
2



3



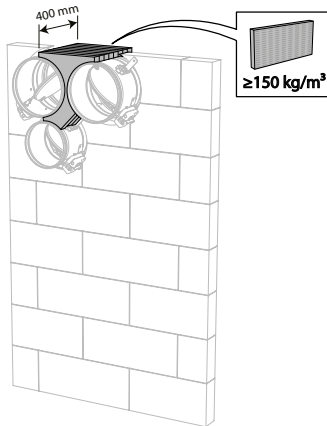
4



3. The dampers can be installed at a minimum distance from an adjacent wall or from another damper.

4. Make the necessary openings ($D_n + 80$ mm) in the wall.

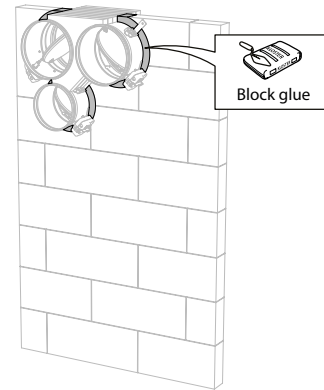
5



5. Mount the dampers in the opening.
Apply rigid stone wool panels (150 kg/m^3) to a depth of 400 mm (150 mm on each side of the wall) to seal the opening at the side with minimal distances.
The surface of this sealing is set between the axes (centres) of the dampers.

- ⚠ Caution:** the opening is sealed according to the existing classification (see next point) when:
- 2 fire dampers are installed at a minimum distance from one another but at a normal distance ($\geq 75 \text{ mm}$) from the wall or floor/ceiling.
 - One single (no cluster) fire damper is located at a minimum distance ($\leq 75 \text{ mm}$) from a wall or floor/ceiling.

6



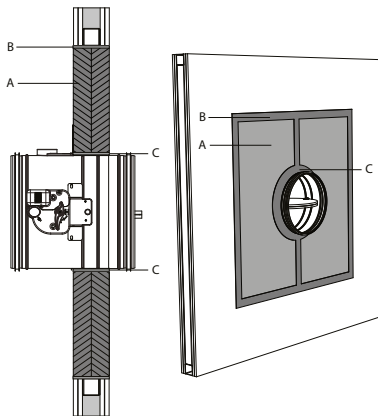
6. Seal the rest of the opening (40 mm) with block glue across the entire wall thickness.

Installation in flexible and rigid wall, sealing with rigid rock wool boards with coating

The product was tested and approved in:

Range	Wall type	Sealing	Classification
Ø 100-125-150-160-180-200-250-300-315 mm	Rigid wall	Aerated concrete ≥ 100 mm	El 90 (v _e i ↔ o) S - (300 Pa)
Ø 100-125-150-160-180-200-250-300-315 mm	Flexible wall	Metal studs gypsum plasterboard Type A (EN 520) ≥ 100 mm	El 60 (v _e i ↔ o) S - (300 Pa)
Ø 100-125-150-160-180-200-250-300-315 mm	Flexible wall	Metal studs gypsum plasterboard Type F (EN 520) ≥ 100 mm	El 90 (v _e i ↔ o) S - (300 Pa)

1

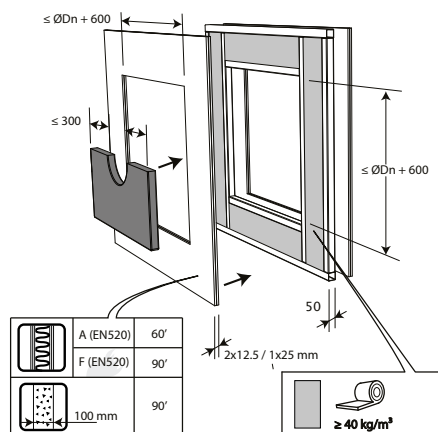


2

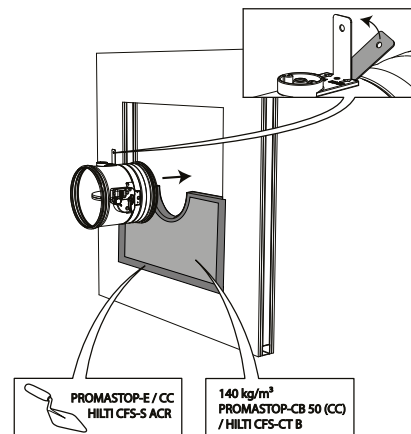
STONE WOOL + COATING

	PROMAT	HILTI
A	PROMASTOP-CB 50 (CC)	HILTI CFS-CT B
B	PROMASTOP-E / CC	HILTI CFS-S ACR
C	PROMASTOP-E / CC 6 - 10 mm	HILTI CFS-S ACR <1 mm

3

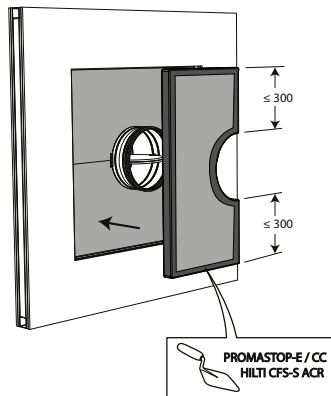


4



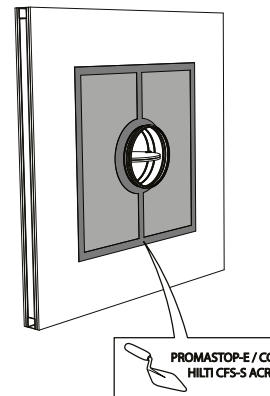
3. The opening around the damper is sealed with 2 layers of 50 mm-thick mineral wool panels with fire resistant coating on one side (type PROMASTOP-CB 50 / PROMASTOP-CB/CC 50 / HILTI CFS-CT B).

5

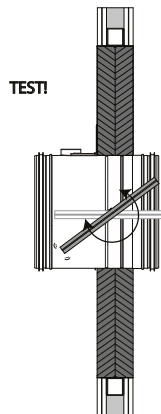


5. The joints on these 2 layers must be installed staggered and covered all around the edge with coating (type PROMASTOP-E / PROMASTOP-CC / HILTI CFS-S ACR).

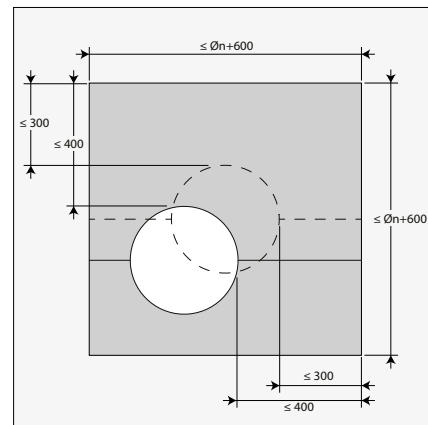
6



7

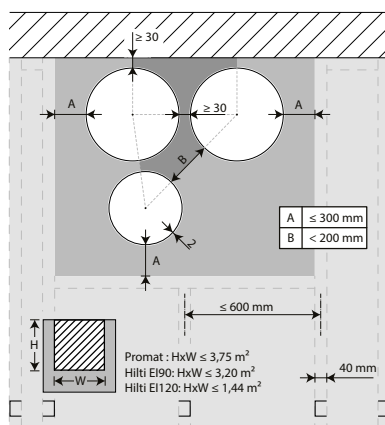


8



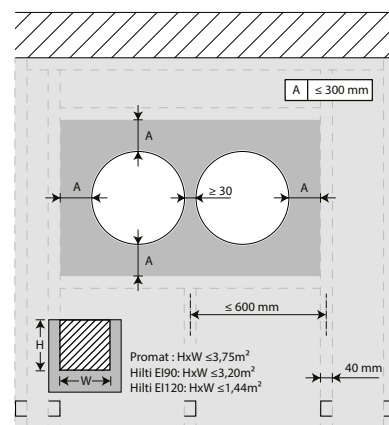
8. The damper does not need to be centered in the opening (with max dimensions fire damper + 600 mm). The maximal distance between the damper and the edge of the opening is 400 mm.

9

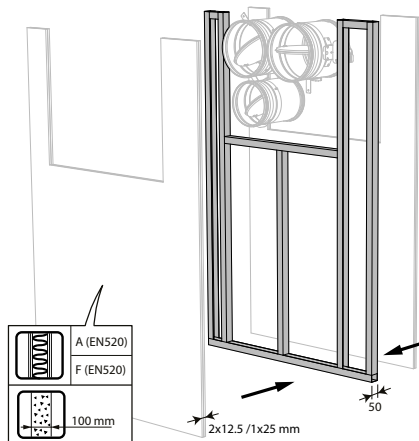


9. The dampers can be installed at a minimum distance (≥ 30 mm) from an adjacent wall or from another damper.

10

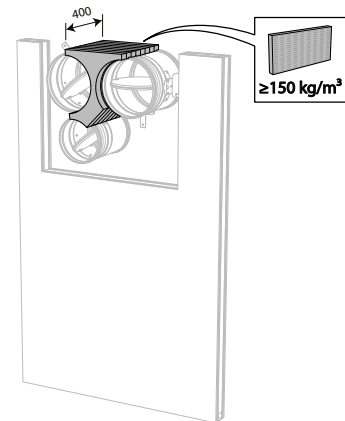


11



11. Build the drywall and foresee horizontal and vertical studs around the opening.
Mount the dampers in the opening.

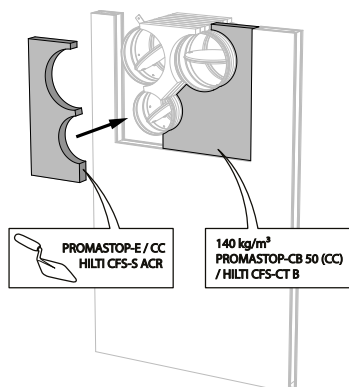
12



12. Apply rigid stone wool panels (150 kg/m^3) to a depth of 400 mm (150 mm on each side of the wall) to seal the opening at the side with minimal distances.
The surface of this sealing is set between the axes (centres) of the dampers.

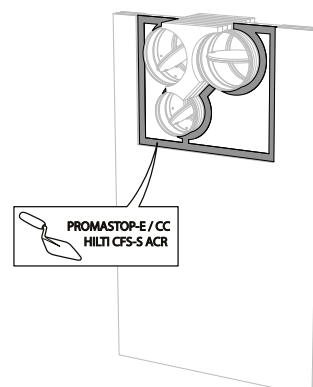
- ⚠ Caution:** the opening is sealed according to the existing classification (see next point) when:
- 2 fire dampers are installed at a minimum distance from one another but at a normal distance ($\geq 75 \text{ mm}$) from the wall or floor/ceiling.
 - One single (no cluster) fire damper is located at a minimum distance ($\leq 75 \text{ mm}$) from a wall or floor/ceiling.

13



13. Seal the rest of the opening with 2 layers of 50 mm-thick coated rigid mineral wool panels (see above).

14

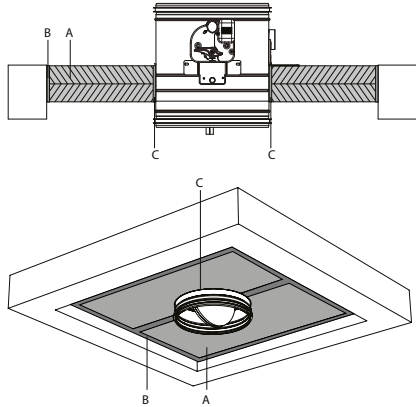


Installation in rigid floor, sealing with rigid rock wool boards with coating

The product was tested and approved in:

Range	Wall type	Sealing	Classification
Ø 100-125-150-160-180-200-250-300-315 mm	Rigid floor	Aerated concrete ≥ 150 mm	Stone wool + coating ≥ 140 kg/m ³
			EI 90 (h _o i ↔ o) S - (300 Pa)

1

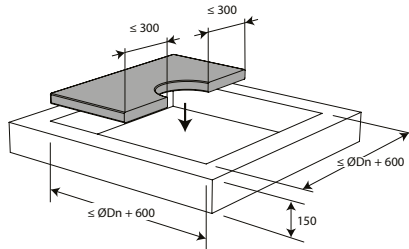


2

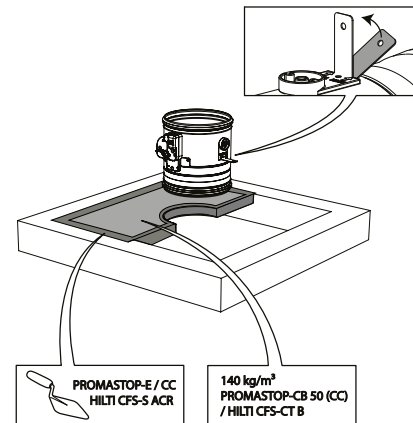
STONE WOOL + COATING

	PROMAT	HILTI
A	PROMASTOP-CB 50 (CC)	HILTI CFS-CT B
B	PROMASTOP-E / CC	HILTI CFS-S ACR
C	PROMASTOP-E / CC 6 - 10 mm	HILTI CFS-S ACR <1 mm

3

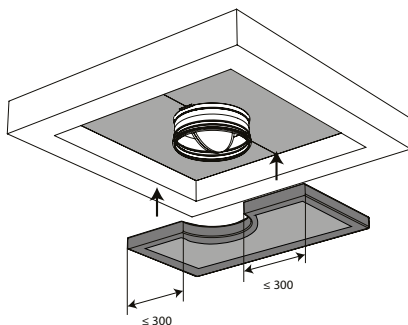


4

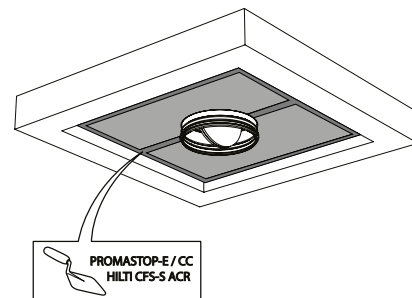


3. The opening around the damper is sealed with 2 layers of 50 mm-thick mineral wool panels with fire resistant coating on one side (type PROMASTOP-CB 50 / PROMASTOP-CB/CC 50 / HILTI CFS-CT B).

5

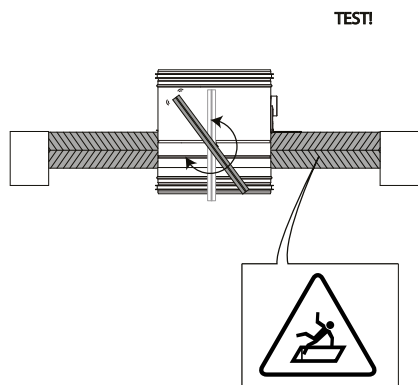


6

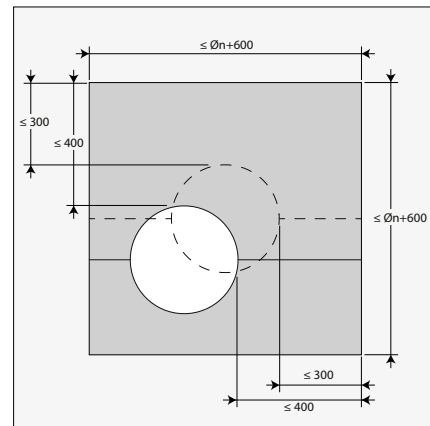


5. The joints on these 2 layers must be installed staggered and covered all around the edge with coating (type PROMASTOP-E / PROMASTOP-CC / HILTI CFS-S-ACR).

7

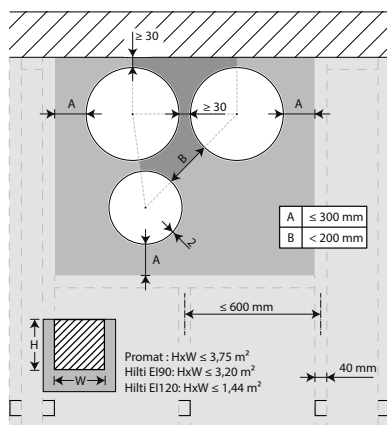


8



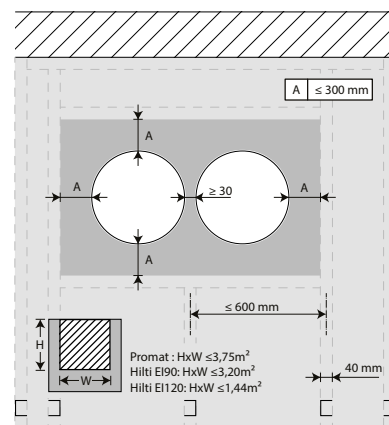
8. The damper does not need to be centered in the opening (with max dimensions fire damper + 600 mm). The maximal distance between the damper and the edge of the opening is 400 mm.

9



9. The dampers can be installed at a minimum distance (≥ 30 mm) from an adjacent wall or from another damper.

10




10. For details, please refer to 'Installation in flexible and rigid wall, sealing with rigid rock wool boards with coating'

Installation in rigid wall with collar for surface-mount 1s

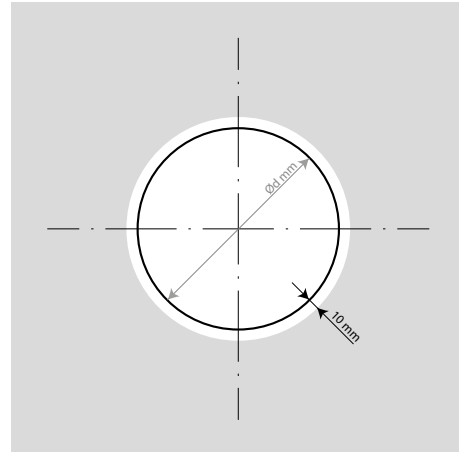
The product was tested and approved in:

Range	Wall type	Sealing	Classification
CR60-1S Ø 100-125-160-200-250-315 mm	Rigid wall	Aerated concrete ≥ 100 mm	El 60 (v_e i \leftrightarrow o) S - (500 Pa)
CR60-1S Ø 100-125-160-200-250-315 mm	Rigid floor	Aerated concrete ≥ 100 mm	El 60 (h_o i \leftrightarrow o) S - (500 Pa)
CR60-1S Ø 100-125-160-200-250-315 mm	Rigid floor	Aerated concrete ≥ 100 mm	El 90 (h_o i \rightarrow o) S - (500 Pa)

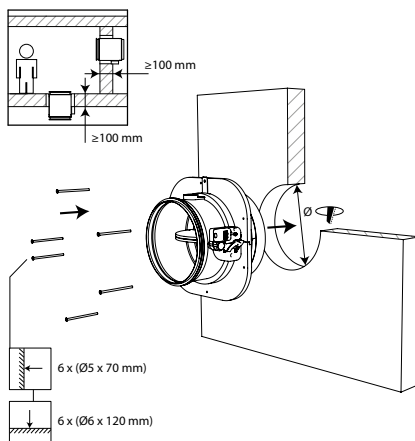
1

$\varnothing D_n$	□ 1s	$\varnothing d$	\varnothing 
100	279	160	180
125	299	180	200
160	339	220	240
200	374	255	275
250	419	300	320
315	474	355	375

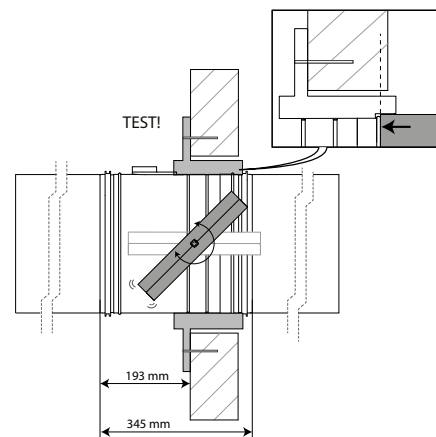
2



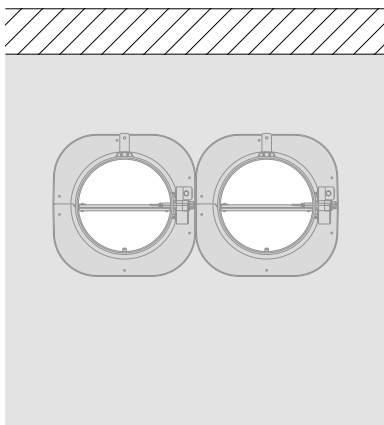
3



4



5



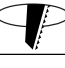
5. The dampers can be installed at a minimum distance from an adjacent wall or from another damper.

Installation in flexible wall with collar for surface-mount 1s

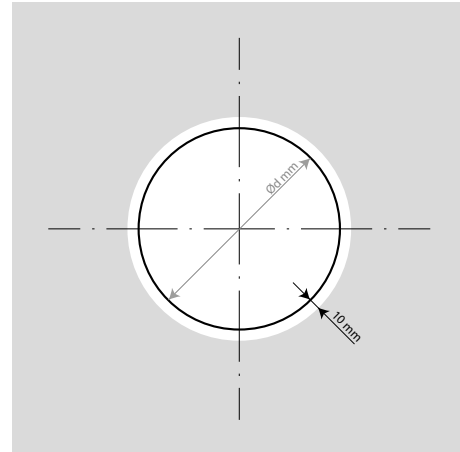
The product was tested and approved in:

Range	Wall type	Sealing	Classification
CR60-1S Ø 100-125-160-200-250-315 mm	Flexible wall	Metal studs gypsum plasterboard Type A (EN 520) $\geq 100 - \leq 125$ mm	Not applicable
			El 60 (v_e i \leftrightarrow o) S - (500 Pa)

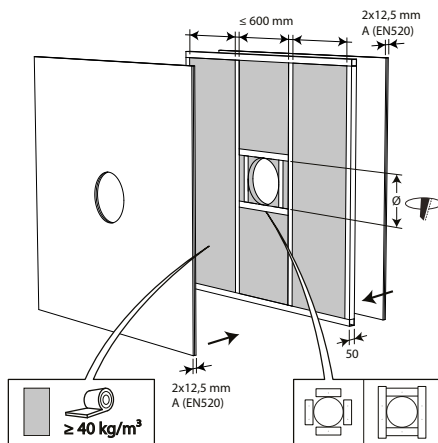
1

$\varnothing D_n$	□ 1s	$\varnothing d$	\varnothing 
100	279	160	180
125	299	180	200
160	339	220	240
200	374	255	275
250	419	300	320
315	474	355	375

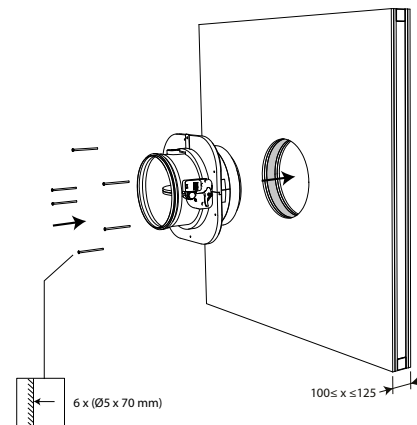
2



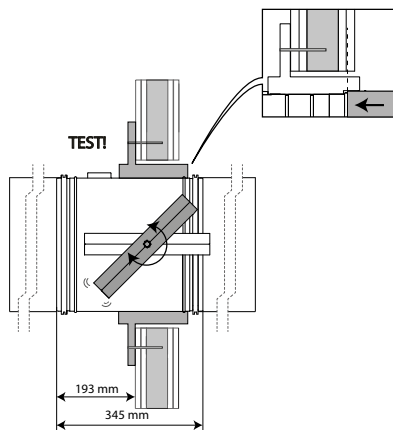
3



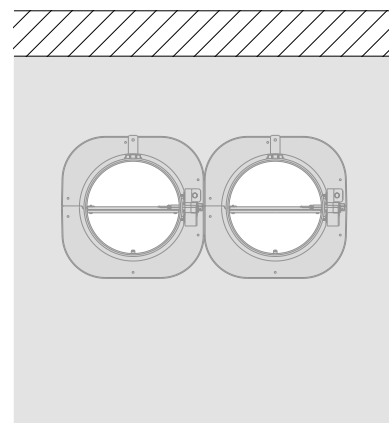
4



5



6



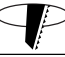
6. The dampers can be installed at a minimum distance from an adjacent wall or from another damper.

Installation in shaft wall with collar for surface-mount 1s

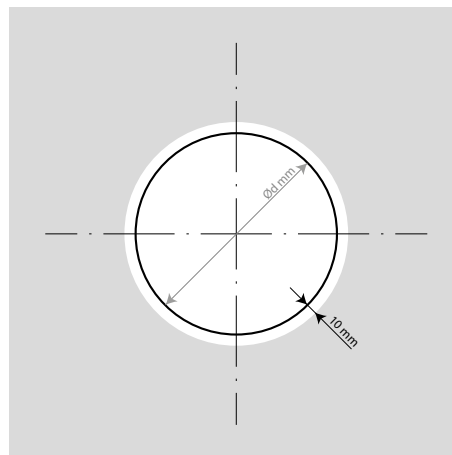
The product was tested and approved in:

Range	Wall type	Sealing	Classification
CR60-1S Ø 100-125-160-200-250-315 mm	Asymmetrical flexible wall (shaft wall)	Metal studs gypsum plasterboard Type F (EN 520) ≥ 80 mm	Not applicable
			El 60 (v_e i \leftrightarrow o) S - (500 Pa)

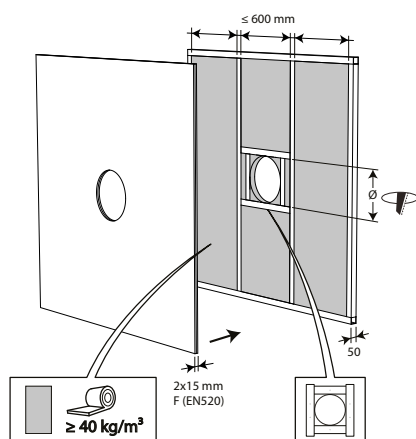
1

$\varnothing D_n$	□ 1s	$\varnothing d$	\varnothing 
100	279	160	180
125	299	180	200
160	339	220	240
200	374	255	275
250	419	300	320
315	474	355	375

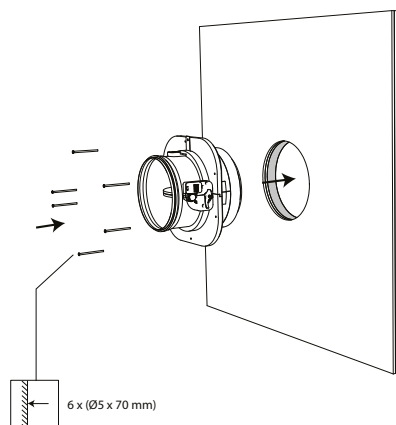
2



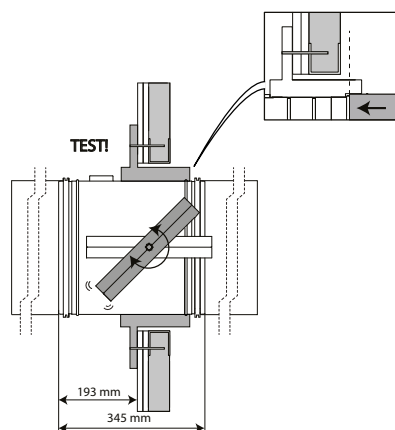
3



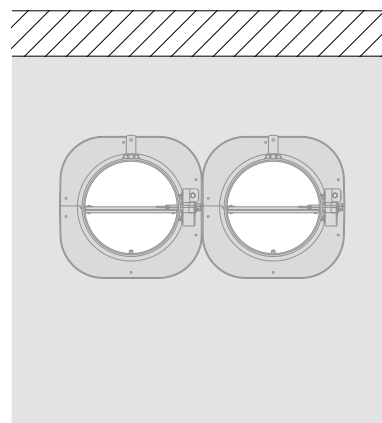
4



5



6

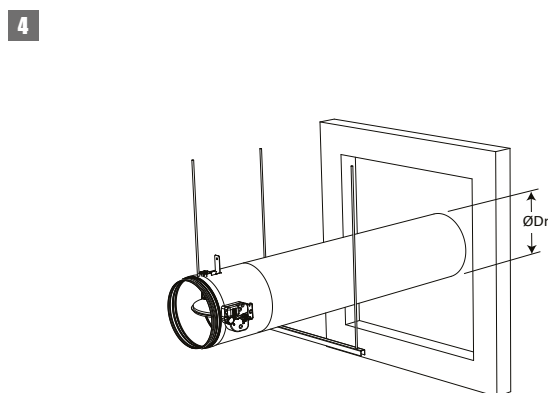
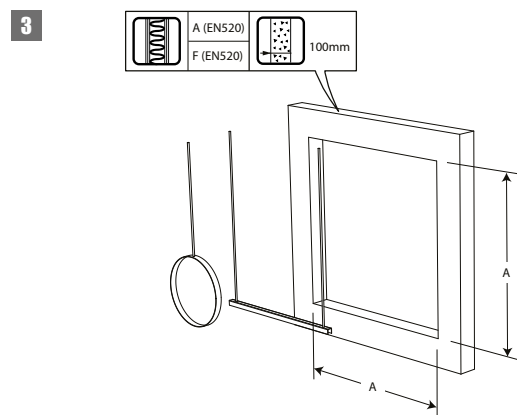
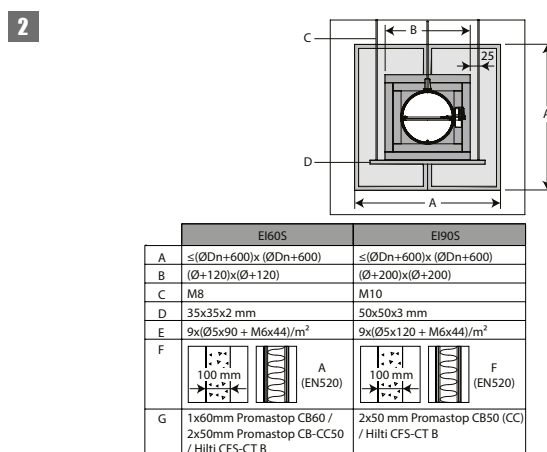
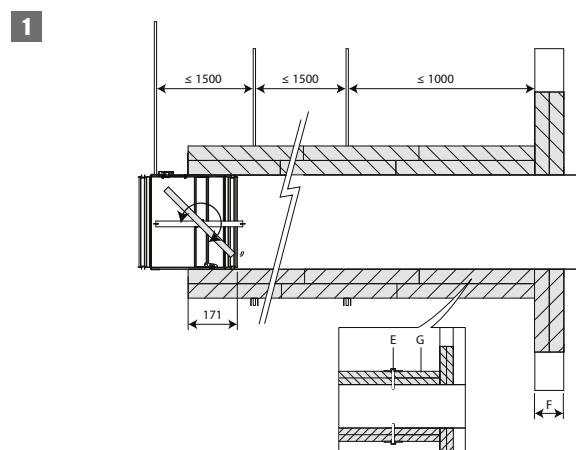


6. The dampers can be installed at a minimum distance from an adjacent wall or from another damper.

Installation remote from the wall, sealing and insulation with rigid rock wool boards with coating

The product was tested and approved in:

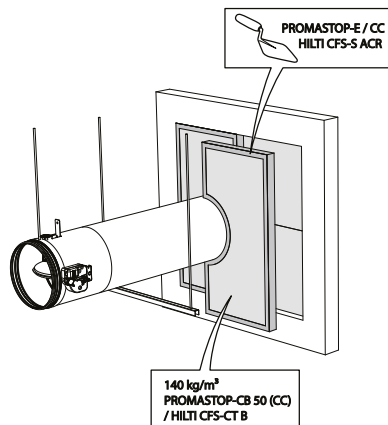
Range	Wall type	Sealing	Classification
Ø 100-125-150-160-180-200-250-300-315 mm	Rigid wall	Aerated concrete ≥ 100 mm	Galvanised duct + stone wool + coating ≥ 150 kg/m ³ 1x60 mm
Ø 100-125-150-160-180-200-250-300-315 mm	Rigid wall	Aerated concrete ≥ 100 mm	Galvanised duct + stone wool + coating ≥ 140 kg/m ³ 2x50 mm
Ø 100-125-150-160-180-200-250-300-315 mm	Flexible wall	Metal studs gypsum plasterboard Type F (EN 520) ≥ 100 mm	Galvanised duct + stone wool + coating ≥ 140 kg/m ³ 2x50 mm
Ø 100-125-150-160-180-200-250-300-315 mm	Flexible wall	Metal studs gypsum plasterboard Type A (EN 520) ≥ 100 mm	Galvanised duct + stone wool + coating ≥ 150 kg/m ³ 1x60 mm



3. An opening with maximal dimensions "A" is made in the wall. For a light partition wall, follow the wall assembly under "Installation in flexible or rigid wall - Sealing with fire resistant rigid panels of mineral wool".

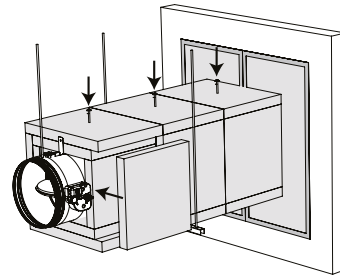
4. The fire damper is mounted remote from the wall at the end of a metal duct. The fire damper is supported by a clamping ring of the same diameter as the damper, held in place by threaded rods "C". The duct is supported every 1500 mm. The suspensions consist of threaded rods "C" and U-shaped steel profiles "D". A free space of maximum 25 mm is left between the threaded rods and the vertical walls of the stone wool casing "B".

5



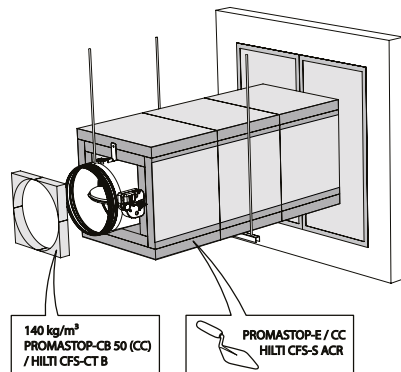
5. The opening around the duct is sealed with stone wool plates type Promastop CB/(CC) / Hilti CFS-CT B ("G"). The edges are sealed and maintained in place with PROMASTOP E / PROMASTOP CC / HILTI CFS-S ACR coating.

6



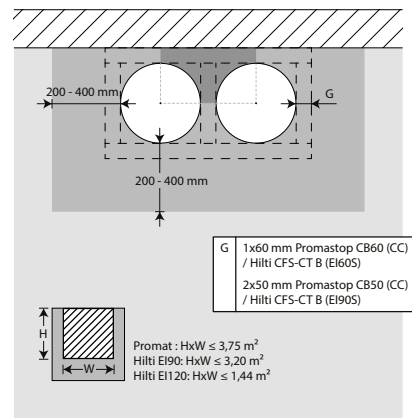
6. The duct is covered over its entire length with stone wool plates "G". To adhere to the duct, the plates are completely coated on one side with fire resistant coating and affixed to the duct with steel screws and washers "E". The damper casing is covered with stone wool plates "G" for 171 mm. A free space should be left around the mechanism to guarantee access. The joints between the plates, between the wall and the plates as well as the screws and washers are filled with coating PROMASTOP E / PROMASTOP CC / HILTI CFS-S ACR.

7



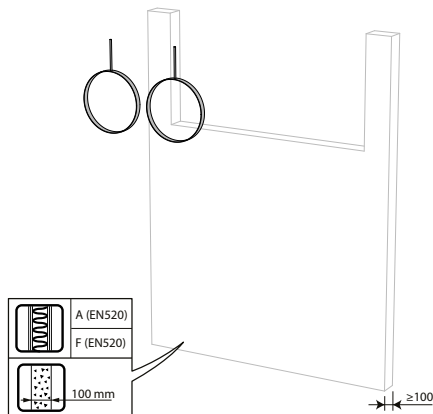
7. An additional stone wool panel type "G", coated with PROMASTOP E / PROMASTOP CC / HILTI CFS-S ACR, is applied in the opening between the damper casing and the stone wool panels.

8

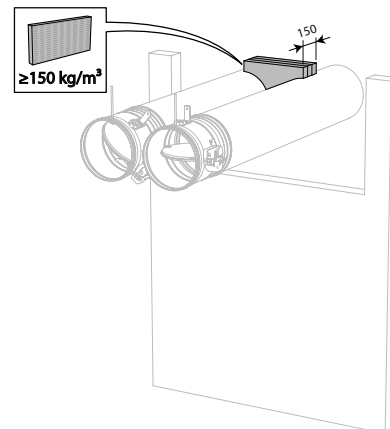


8. The dampers can be installed at a minimum distance from an adjacent wall or from another damper.

9

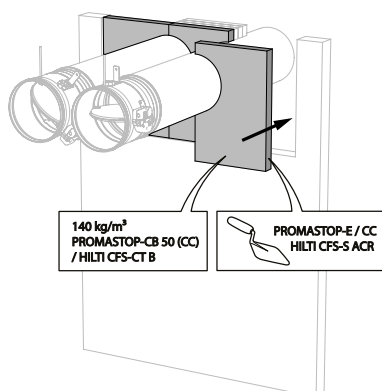


10

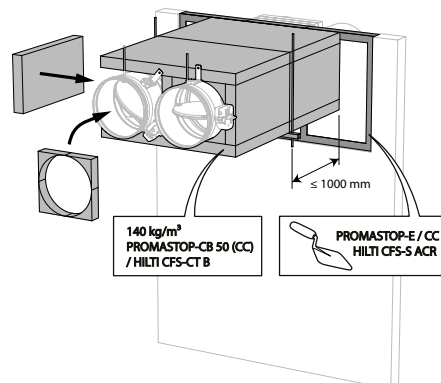


10. Apply rigid stone wool panels (150 kg/m^3) to a depth of 250 mm (wall thickness + 150 mm at the rear side of the wall) to seal the opening at the side with minimal distances. When the distance between the damper and the wall is greater than 75 mm (duct insulated with 2 x 50 mm Promastop CB50 (CC) or Hilti CFS-CT B for example), the sealing of the opening between the damper and the wall is carried out according to the pre-existing classification. The generic solution is therefore not applicable in this case.

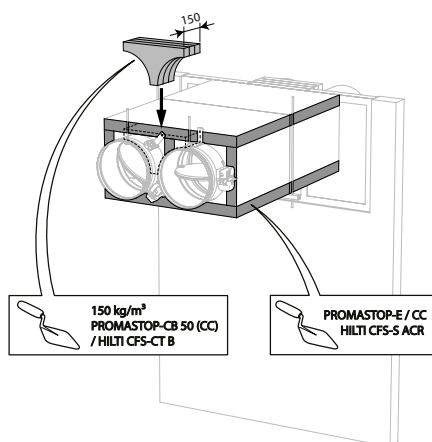
11



12



13

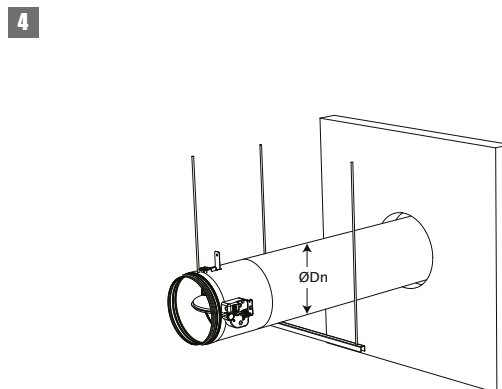
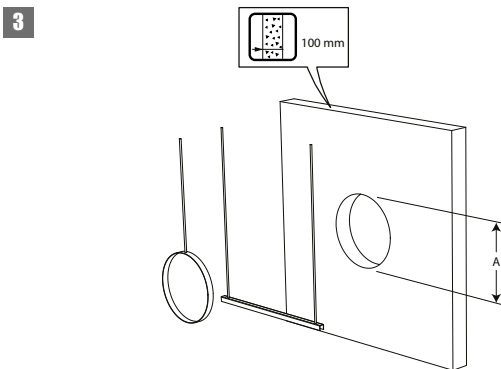
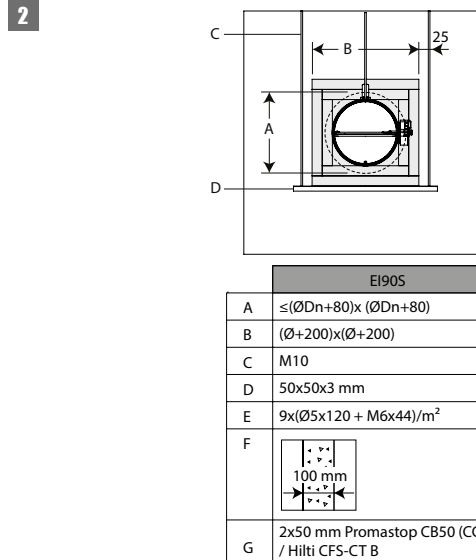
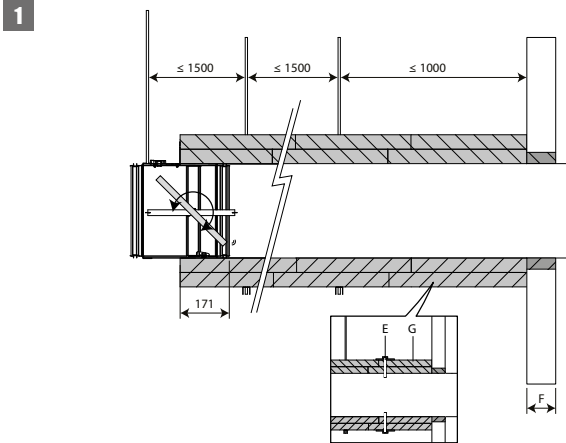


13. Apply rigid stone wool panels (150 kg/m^3) to a depth of 150 mm to seal the opening at the side with minimal distances.

Installation remote from the wall, sealing with mortar and insulation with rigid rock wool boards with coating

The product was tested and approved in:

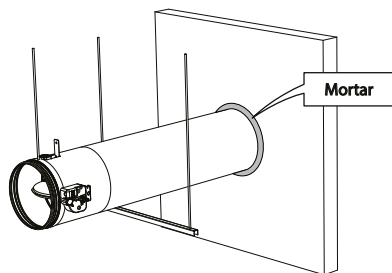
Range	Wall type	Sealing	Classification
Ø 100-125-150-160-180-200-250-300-315 mm	Rigid wall	Aerated concrete ≥ 100 mm Galvanised duct + stone wool + coating ≥ 140 kg/m ³ 2x50 mm + mortar	EI 90 (v_e i \leftrightarrow o) S - (300 Pa)



3. An opening with maximal dimensions "A" is made in the wall.

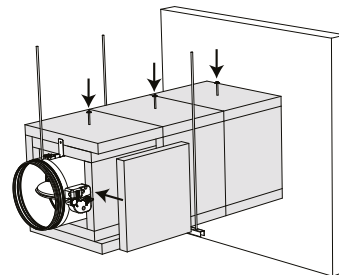
4. The fire damper is mounted remote from the wall at the end of a metal duct. The fire damper is supported by a clamping ring of the same diameter as the damper, held in place by threaded rods "C". The duct is supported every 1500 mm. The suspensions consist of threaded rods "C" and U-shaped steel profiles "D". A free space of maximum 25 mm is left between the threaded rods and the vertical walls of the stone wool casing "B".

5



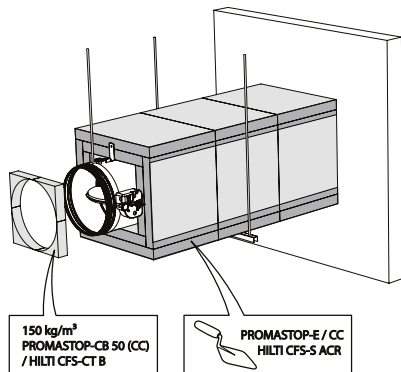
5. The opening around the duct is sealed with standard mortar.

6



6. The duct is covered over its entire length with stone wool plates "G". To adhere to the duct, the plates are completely coated on one side with fire resistant coating and affixed to the duct with steel screws and washers "E". The damper casing is covered with stone wool plates "G" for 171 mm. A free space should be left around the mechanism to guarantee access. The joints between the plates, between the wall and the plates as well as the screws and washers are filled with coating PROMASTOP E / PROMASTOP CC / HILTI CFS-S ACR.

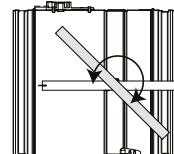
7



7. An additional stone wool panel type "G", coated with PROMASTOP E / PROMASTOP CC / HILTI CFS-S ACR, is applied in the opening between the damper casing and the stone wool panels.

8

TEST!

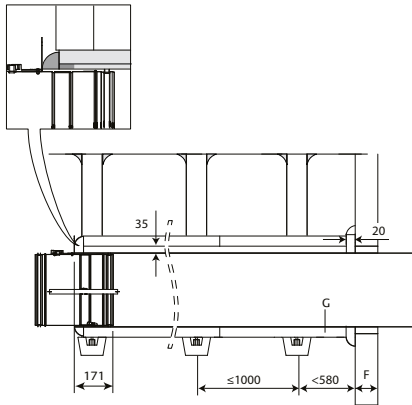


Installation remote from the wall + GEOFLAM

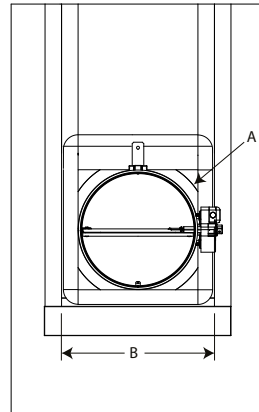
The product was tested and approved in:

Range	Wall type	Sealing	Classification
Ø 100-125-150-160-180-200-250-300-315 mm	Rigid wall	Aerated concrete ≥ 100 mm	EI 90 (v _e i ↔ o) S - (500 Pa)
Ø 100-125-150-160-180-200-250-300-315 mm	Rigid wall	Aerated concrete ≥ 100 mm	EI 90 (v _e i ↔ o) S - (500 Pa)

1

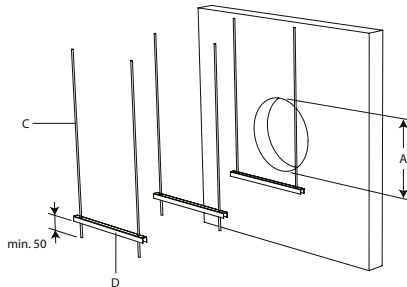


2

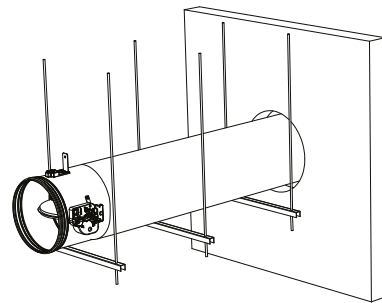


EI90S	
A	≥ ØDn+80
B	(ØDn+125) x (ØDn+125)
C	M8
D	25x25x2 mm
E	Glue, fibrous plaster
F	 100 mm
G	Geoflam F 45 mm Geoflam Light 35 mm

3



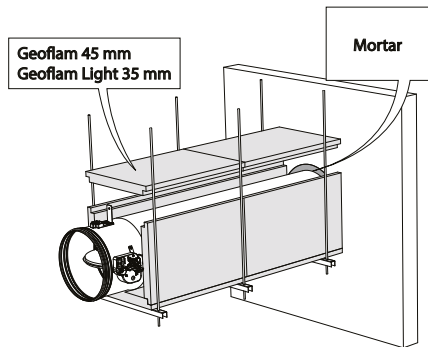
4



3. An opening with maximal dimensions "A" is made in the wall.

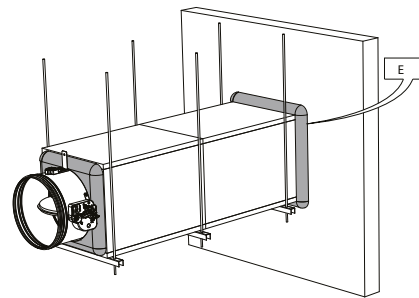
4. The fire damper is mounted remote from the wall at the end of a metal duct. The duct is supported every 1000 mm. The suspensions consist of threaded rods "C" and U-shaped steel profiles "D". A free space of maximum 25 mm is left between the threaded rods and the vertical walls of the casing "B".

5



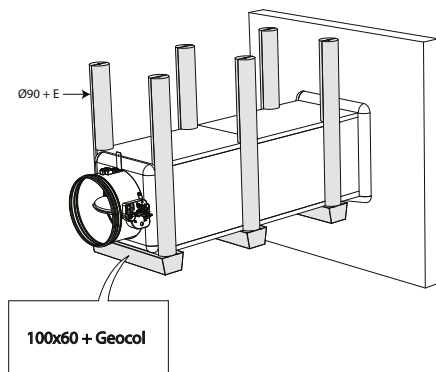
5. The opening around the duct is sealed with standard mortar. The duct is covered with 45 mm thick GEOFLAM F plates or 35 mm thick GEOFLAM Light plates "G". The plates adhere to each other with glue and fibrous plaster "E". The damper casing is also covered on a length of 171 mm.

6



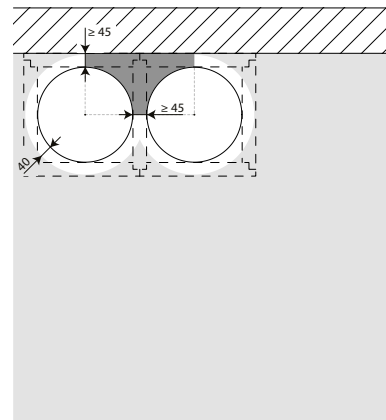
6. The GEOFLAM F / GEOFLAM Light plates stop at a distance of 20 mm from the wall. The free space is filled with fibrous plaster. The same filling is applied to seal off the connection between the GEOFLAM F plates and the damper casing.

7



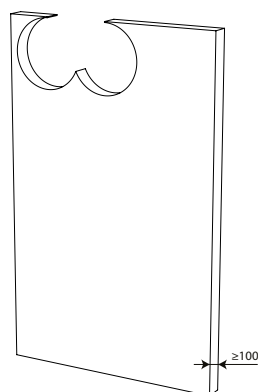
7. The threaded rods are covered with U-shaped plates of GEOFLAM (Ø 90 mm) and affixed with glue and fibrous plaster. The profiles are covered with U-shaped shells GEOFLAM 100 x 60 mm, which are affixed to the underside of the shaft with GEOCOL (GEOSTAFF) cement plaster.

8

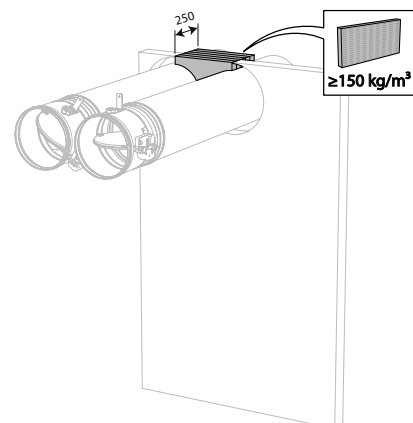


8. The dampers can be installed at a minimum distance from an adjacent wall or from another damper.

9

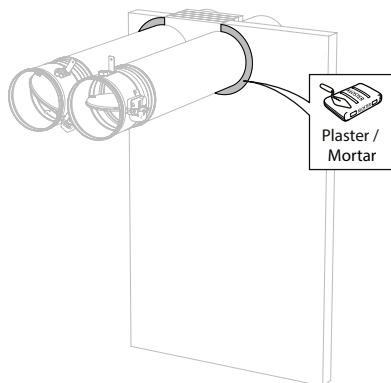


10

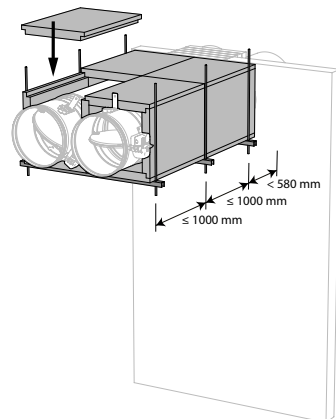


10. Apply rigid stone wool panels (150 kg/m^3) to a depth of 250 mm (wall thickness + 150 mm at the rear side of the wall) to seal the opening at the side with minimal distances.

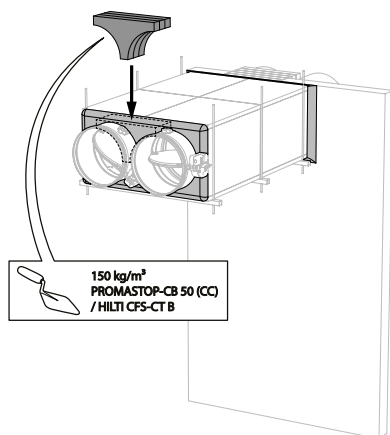
11



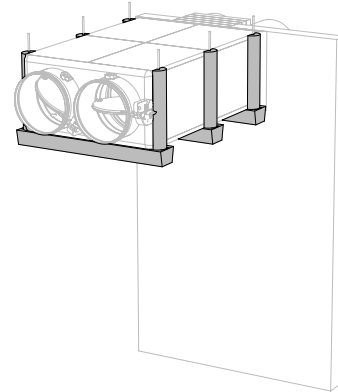
12



13



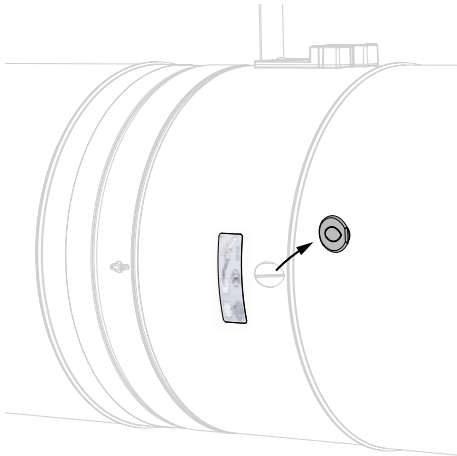
14



13. Apply rigid stone wool panels (150 kg/m³) to a depth of 150 mm to seal the opening at the side with minimal distances.

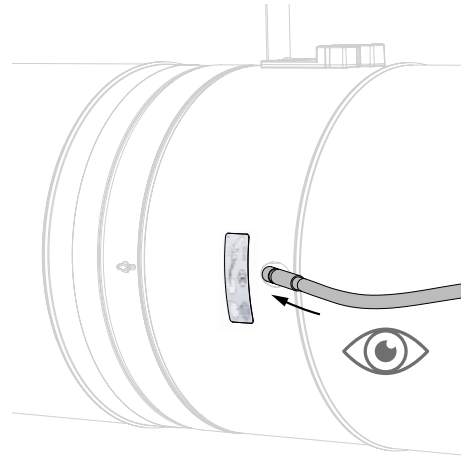
Inspection of the damper

1



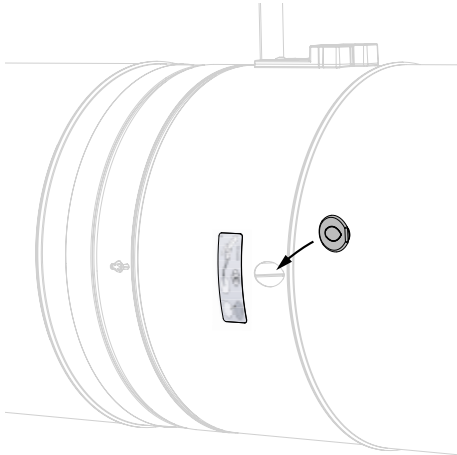
1. Remove the air-tight plug from the damper.

2



2. Insert the camera of the endoscope (for example Inspeccam Rf-t) through the opening and inspect the inside of the damper.

3



3. After inspection, replace the air-tight plug thoroughly on the damper opening. The position is crucial in order to maintain the air-tightness of the fire damper.

Maintenance

- No specific maintenance required.
- Schedule at least two running visual checks each year.
- Remove dust and all other particles before start-up.
- Follow the local maintenance regulations (i.e. BS9999 Annex V; NF S 61-933) and EN13306.
- Read the maintenance instructions on our website: https://www.rft.be/assets//PIM/DOCUMENTS/BROCHURE%20KITS/BRO_K139_MAINTENANCE_C.pdf
- Use the damper at up to 95% humidity, non-condensing.
- The fire damper can be cleaned with a dry or slightly damp cloth. It is forbidden to use abrasive cleaners or mechanical cleaning techniques (brush).

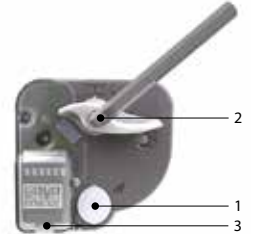
Operation and mechanisms



MFUS(P) Mechanism with fusible link

The operating mechanism MFUS(P) automatically unlocks the blade when the temperature in the duct exceeds 72°C. The damper can also be unlocked and reset manually.

1. unlocking button
2. resetting handle
3. cable entrance



Options - at the time of order

FDCU	Limit switch 'open/closed'
------	----------------------------

Unlocking

- **manual unlocking:** press the unlocking button (1).
- **automatic unlocking:** the fusible link melts when the temperature reaches 72°C in the duct.
- **remote unlocking:** n/a

Resetting

- **manual resetting:** turn the resetting handle (2) 90° clockwise (or use a 10 mm hex key).
- **motorised resetting:** n/a

Caution:

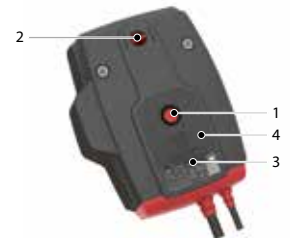
- ⚠ The mechanism may never be tested on its own, without being attached to the damper. Such a test might damage the mechanism or the operator might be injured.



ONE Spring return actuator for remote control

The spring-return actuator ONE is designed to easily operate Rf-t fire dampers of all sizes, automatically or remotely. Five models are available, 24 or 230 volt, with FDCU or FDCB position switches; and 24 volt with plug (ST).

1. unlocking button
2. blade position indicator
3. LED
4. battery compartment to reset motor
5. plug (ST)



Options - at the time of order

IXI-R1	Universal field controller (Modbus, BACnet or analog connection), pre-mounted on the damper.
IXI-R2-24	Universal field controller (Modbus, BACnet), pre-mounted on the damper and with a connection for a second damper.
IXI-R2-230	Universal field controller (Modbus, BACnet), pre-mounted on the damper and with a connection for a second damper.

Unlocking

- **manual unlocking:** shortly press the unlocking button (1) once.
- **automatic unlocking:** the fusible link reacts as soon as the temperature in the duct reaches 72°C.
- **remote unlocking:** by interrupting the power supply.

Resetting

- **manual resetting:** open the battery compartment (4) and press a 9V battery against the contact springs. Hold this position until the LED (3) emits a continuous light. Check whether the indicator (2) shows that the damper blade is in the open position. Remove the battery, the LED fades away. Close the battery compartment.
- **motorised resetting:** switch off the power supply for at least 5 sec. Power the actuator (respect the prescribed voltage) for at least 75 sec. The resetting stops automatically when the end of range is reached (damper open).

Caution:

- ⚠ If the LED (3) flickers fast (3x/sec.), the battery is discharged: use a new battery.
- ⚠ If the LED (3) flickers slowly (1x/sec), the resetting is in progress.
- ⚠ If the LED (3) is continuously on, the resetting is complete and the motor is powered.
- ⚠ If the actuator detects voltage on the power cable, a brief contact of the battery is enough to start the resetting process.
- ⚠ The power supply of this actuator cannot be individually replaced. If the cable is damaged, the whole unit must be discarded and replaced.
- ⚠ The housing of the mechanism contains a temperature sensor. When the temperature in the housing exceeds 72°C, the mechanism unlocks. The LED flashes twice per second. When the temperature drops below 72°C, the mechanism can only be reset in a motorised manner after a manual reset (with a battery).
- ⚠ The end of range switches need 1 second after operation to adopt a stable position.
- ⚠ Make sure the thermal trigger device is present in the actuator. The actuator might not function properly if this is not the case.

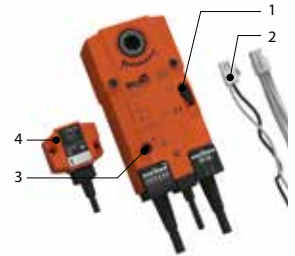
	prod. < 1/7/2015				prod. ≥ 1/7/2015			
	CR60(1s) CR120	CU-LT CU-LT-1s	CR2≤400 CU2≤1200	CR2>400 CU2>1200	CR60(1s) CR120(1s)	CU-LT CU-LT-1s	CR2≤400 CU2≤1200	CR2>400 CU2>1200
Kit ONE	●	●	●		●	●	●	●



BFL(T) Remotely controlled spring return actuator

The spring return actuator BFL(T) is specially designed to remotely control fire dampers. The BFL(T) model is intended for fire dampers with smaller dimensions ($\varnothing \leq 400$ mm or $W+H \leq 1200$ mm/1400 mm for CU-LT, CU-LT-1s).

1. locking button
2. plug (ST)
3. access for manual resetting
4. thermo-electric tripping device (T)



Options - at the time of order

SN2 BFL/BFN	Auxiliary limit switch 'open/closed'
IXI-R1	Universal field controller (Modbus, BACnet or analog connection), pre-mounted on the damper.
IXI-R2-24	Universal field controller (Modbus, BACnet), pre-mounted on the damper and with a connection for a second damper.
IXI-R2-230	Universal field controller (Modbus, BACnet), pre-mounted on the damper and with a connection for a second damper.

Unlocking

- **manual unlocking:** place the locking button on "unlock". (In case of BFLT: the damper can alternatively be unlocked by pushing the "test" button on the thermo-electric fuse)
- **automatic unlocking:** the thermo-electric fuse reacts as soon as the temperature reaches 72°C (type BFLT).
- **remote unlocking:** by interrupting the power supply.

Caution:

- ⚠ The thermo-electric fuse will not move the damper into its safety position (when the temperature reaches 72°C) if the motor is not powered.

Resetting

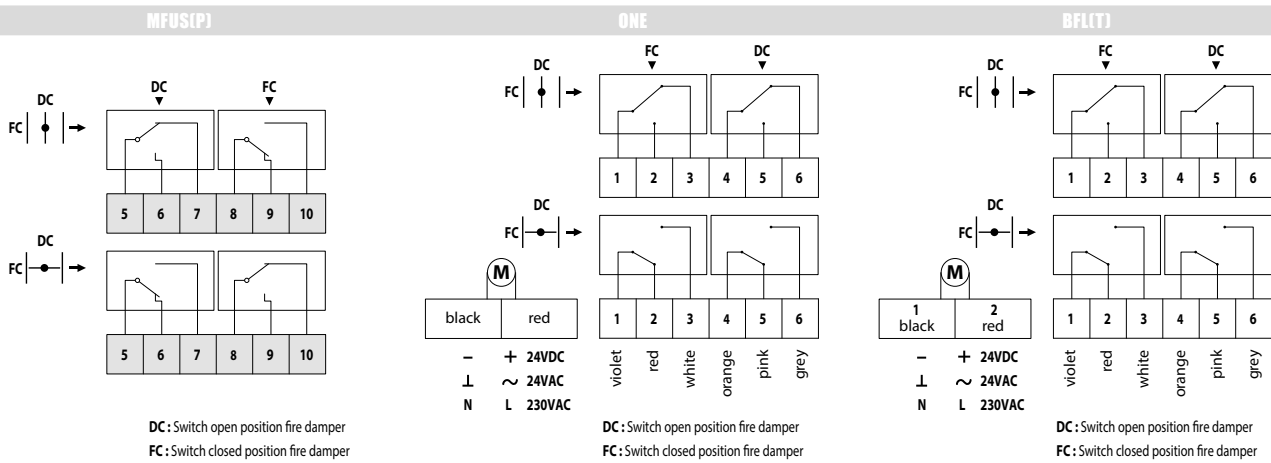
- **manual resetting:** turn the enclosed handle anti-clockwise. To block the motor, place the locking button on "lock"
- **motorised resetting:** switch off the power supply for at least 10 seconds. Supply the actuator (respect the prescribed voltage) for at least 75 seconds. The resetting stops automatically when the end of range is reached (damper open) - it takes about 60 seconds to reset the damper - or when the power supply is interrupted.

Caution:

- ⚠ Do not use a drill or screwing machine.
- ⚠ Stop as soon as the motor is completely rearmed (end of range).

	prod. < 1/7/2015				prod. ≥ 1/7/2015			
	CR60(1s) CR120	CU-LT CU-LT-1s	CR2≤400 CU2≤1200	CR2>400 CU2>1200	CR60(1s) CR120 (1s)	CU-LT CU-LT-1s	CR2≤400 CU2≤1200	CR2>400 CU2>1200
Kit BFL					●	●	●	
Kit BFN	●	●	●					●
Kit BF				●				

Electrical connection



MEC	Nominal voltage motor	Nominal voltage magnet	Power consumption (stand-by)	Power consumption (operating)	Standard switches	Resetting time motor
MFUS	N/A	N/A	N/A	N/A	1mA...1A, DC 5V...AC 48V	N/A
ONET 24 FDCU	24 V AC/DC (-10/+20%)	N/A	0,28W	4,2W	1mA...1A 60V	< 75 s (cabled) / <85 s (battery)
ONET 24 FDCB	24 V AC/DC (-10/+20%)	N/A	0,28W	4,2W	1mA...1A 60V	< 75 s (cabled) / <85 s (battery)
ONET 230 FDCU	230 V AC (-15/+15%)	N/A	0,57W	4,2W	1mA...1A 60V	< 75 s (cabled) / <85 s (battery)
ONET 230 FDCB	230 V AC (-15/+15%)	N/A	0,57W	4,2W	1mA...1A 60V	< 75 s (cabled) / <85 s (battery)
ONET 24 FDCU ST	24 V AC/DC (-10/+20%)	N/A	0,28W	4,2W	1mA...1A 60V	< 75 s (cabled) / <85 s (battery)
BFL24	24 V AC/DC	N/A	0,7W	2,5W	1mA...3A, AC 250V	< 60 s
BFL24-ST	24 V AC/DC	N/A	0,7W	2,5W	1mA...3A, AC 250V	< 60 s
BFLT24	24 V AC/DC	N/A	0,8W	2,5W	1mA...3A, AC 250V	< 60 s
BFLT24-ST	24 V AC/DC	N/A	0,8W	2,5W	1mA...3A, AC 250V	< 60 s
BFL230	230 V AC	N/A	1,1W	3,5W	1mA...3A, AC 250V	< 60 s
BFLT230	230 V AC	N/A	1,4W	4W	1mA...3A, AC 250V	< 60 s

MEC	Resetting time motor	Running time spring	Noise level motor	Noise level spring	Cable supply / control	Cable auxiliary switch	Protection class
MFUS	N/A	1 s	N/A	N/A			IP 42
ONET 24 FDCU	< 75 s (cabled) / <85 s (battery)	< 30 s	< 58 dB (A)	< 60 dB (A)	1 m, 2 x 0.75 mm ²	1 m, 6 x 0.75 mm ²	IP 54
ONET 24 FDCB	< 75 s (cabled) / <85 s (battery)	< 30 s	< 58 dB (A)	< 60 dB (A)	1 m, 2 x 0.75 mm ²	(2x) 1 m, 6 x 0,75 mm ²	IP 54
ONET 230 FDCU	< 75 s (cabled) / <85 s (battery)	< 30 s	< 58 dB (A)	< 60 dB (A)	1 m, 2 x 0.75 mm ²	1 m, 6 x 0.75 mm ²	IP 54
ONET 230 FDCB	< 75 s (cabled) / <85 s (battery)	< 30 s	< 58 dB (A)	< 60 dB (A)	1 m, 2 x 0.75 mm ²	(2x) 1 m, 6 x 0,75 mm ²	IP 54
ONET 24 FDCU ST	< 75 s (cabled) / <85 s (battery)	< 30 s	< 58 dB (A)	< 60 dB (A)	1 m, 2 x 0.75 mm ²	1 m, 6 x 0.75 mm ²	IP 54
BFL24	< 60 s	20 s	< 43 dB (A)	< 62 dB (A)	1 m, 2 x 0.34 mm ² (halogen-free)	1 m, 6 x 0.75 mm ² (halogen-free)	IP 54
BFL24-ST	< 60 s	20 s	< 43 dB (A)	< 62 dB (A)	1 m, 2 x 0.75 mm ² (halogen-free)	1 m, 6 x 0.75 mm ² (halogen-free)	IP 54
BFLT24	< 60 s	20 s	< 43 dB (A)	< 62 dB (A)	1 m, 2 x 0.34 mm ² (halogen-free)	1 m, 6 x 0.75 mm ² (halogen-free)	IP 54
BFLT24-ST	< 60 s	20 s	< 43 dB (A)	< 62 dB (A)	1 m, 2 x 0.75 mm ² (halogen-free)	1 m, 6 x 0.75 mm ² (halogen-free)	IP 54
BFL230	< 60 s	20 s	< 43 dB (A)	< 62 dB (A)	1 m, 2 x 0.75 mm ² (halogen-free)	1 m, 6 x 0.75 mm ² (halogen-free)	IP 54
BFLT230	< 60 s	20 s	< 43 dB (A)	< 62 dB (A)	1 m, 2 x 0.75 mm ² (halogen-free)	1 m, 6 x 0.75 mm ² (halogen-free)	IP 54

Weights

CR60 + MFUS

ØDn [mm]	100	125	150	160	180	200	250	300	315
kg	1,6	1,8	2,0	2,1	2,5	2,6	3,3	4,1	4,2

CR60 + ONE T

ØDn [mm]	100	125	150	160	180	200	250	300	315
kg	2,8	3,0	3,2	3,3	3,7	3,8	4,5	5,3	5,4

CR60 + BFL

ØDn [mm]	100	125	150	160	180	200	250	300	315
kg	2,3	2,5	2,7	2,8	3,2	3,3	4,0	4,8	4,9

CR60 + BFLT

ØDn [mm]	100	125	150	160	180	200	250	300	315
kg	2,4	2,6	2,8	2,9	3,3	3,4	4,1	4,9	5,0

CR60-L500 + MFUS

ØDn [mm]	100	125	150	160	180	200	250	300	315
kg	1,9	2,3	2,6	2,7	3,2	3,4	4,2	5,3	5,4

CR60-L500 + ONE T

ØDn [mm]	100	125	150	160	180	200	250	300	315
kg	3,1	3,5	3,8	3,9	4,4	4,6	5,4	6,5	6,6

CR60-L500 + BFL

ØDn [mm]	100	125	150	160	180	200	250	300	315
kg	2,6	3,0	3,3	3,4	3,9	4,1	4,9	6,0	6,1

CR60-L500 + BFLT

ØDn [mm]	100	125	150	160	180	200	250	300	315
kg	2,7	3,1	3,4	3,5	4,0	4,2	5,0	6,1	6,2

CR60-1S + MFUS

ØDn [mm]	100	125	160	200	250	315
kg	6,0	6,7	8,5	9,7	11,2	12,4

CR60-1S + ONE T

ØDn [mm]	100	125	160	200	250	315
kg	7,2	7,9	9,7	10,9	12,4	13,6

CR60-1S + BFL

ØDn [mm]	100	125	160	200	250	315
kg	6,7	7,4	9,2	10,4	11,9	13,1

CR60-1S + BFLT

ØDn [mm]	100	125	160	200	250	315				
kg	6,8	7,5	9,3	10,5	12,0	13,2				

CR60-1S-L500 + MFUS

ØDn [mm]	100	125	160	200	250	315				
kg	6,3	7,2	9,1	10,5	12,1	13,6				

CR60-1S-L500 + ONE T

ØDn [mm]	100	125	160	200	250	315				
kg	7,5	8,4	10,3	11,7	13,3	14,8				

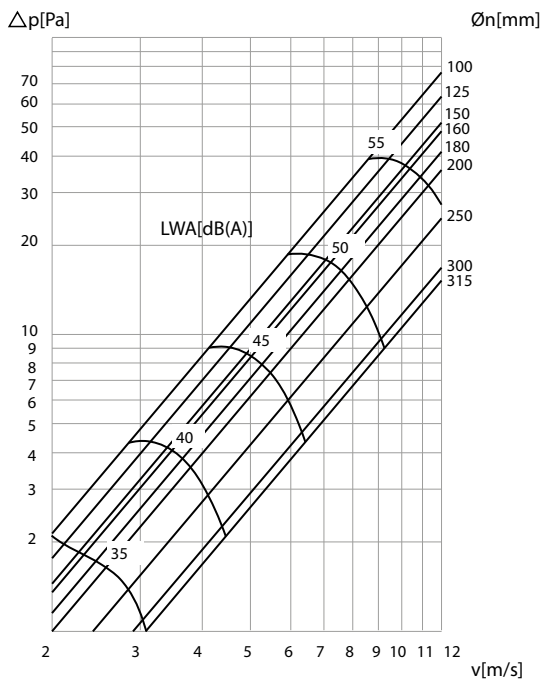
CR60-1S-L500 + BFL

ØDn [mm]	100	125	160	200	250	315				
kg	7,0	7,9	9,8	11,2	12,8	14,3				

CR60-1S-L500 + BFLT

ØDn [mm]	100	125	160	200	250	315				
kg	7,1	8,0	9,9	11,3	12,9	14,4				

Selection graphs



$$\Delta p \text{ [Pa]} = \zeta^* v^2 * 0,6$$

ØDn [mm]	100	125	150	160	180	200	250	300	315	
ζ [-]	0,87	0,73	0,6	0,56	0,48	0,42	0,29	0,19	0,18	

Example

Example

Data

$D_n = 250 \text{ mm}$, $v = 5 \text{ m/s}$

Requested

$\Delta p = \text{ca. } 4.3 \text{ Pa}$ (Cfr. selection graph)

LWA = ca. 42 dB(A)

Calculation

$\Delta p = 0.29 * (5 \text{ m/s})^2 * 0.6 = 4.35 \text{ Pa}$

Selection data

CR60 - CR60-L500 - A-weighted sound power level in the duct

$\varnothing D_n$ [mm]	100	125	150	160	180	200	250	300	315		
S_n [m ²]	0,0047	0,0082	0,0128	0,0149	0,0195	0,0248	0,0407	0,0605	0,0672		
S_n [%]	61,06	68,23	71,43	74,79	77,41	79,58	83,52	86,18	86,82		
Q [m ³ /h]	117,00	201,00	312,00	363,00	482,00	616,00	1.043,00	1.606,00	1.797,00		
Δp [Pa]	9,01	9,03	9,00	8,45	8,00	7,41	6,00	5,00	4,34		45 dB
Q [m ³ /h]	81,00	139,00	217,00	252,00	335,00	428,00	725,00	1.115,00	1.248,00		40 dB
Δp [Pa]	4,35	4,35	4,00	4,07	4,00	3,57	2,89	2,00	2,09		35 dB
Q [m ³ /h]	56,00	97,00	151,00	175,00	232,00	297,00	503,00	774,00	866,00		30 dB
Δp [Pa]	2,10	2,10	2,00	1,97	2,00	1,72	1,39	1,00	1,01		25 dB
Q [m ³ /h]	39,00	67,00	105,00	121,00	161,00	206,00	349,00	538,00	602,00		
Δp [Pa]	1,01	1,01	1,00	0,95	1,00	0,83	0,67	1,00	0,49		
Q [m ³ /h]	27,00	47,00	73,00	84,00	112,00	143,00	243,00	374,00	418,00		
Δp [Pa]	0,49	0,49	0,00	0,46	0,00	0,40	0,32	0,00	0,23		

Every air flow lower than the above mentioned maximum value, will meet the listed A-weighted sound power level for the respective dimension.

CR60-1S - CR60-1S-L500 - A-weighted sound power level in the duct

$\varnothing D_n$ [mm]	100	125	160	200	250	315					
S_n [m ²]	0,0047	0,0082	0,0149	0,0248	0,0407	0,0672					
S_n [%]	61,06	68,23	74,79	79,58	83,52	86,82					
Q [m ³ /h]	117,00	201,00	363,00	616,00	1.043,00	1.797,00					45 dB
Δp [Pa]	9,01	9,03	8,45	7,41	6,00	4,34					40 dB
Q [m ³ /h]	81,00	139,00	252,00	428,00	725,00	1.248,00					35 dB
Δp [Pa]	4,35	4,35	4,07	3,57	2,89	2,09					30 dB
Q [m ³ /h]	56,00	97,00	175,00	297,00	503,00	866,00					25 dB
Δp [Pa]	2,10	2,10	1,97	1,72	1,39	1,01					
Q [m ³ /h]	39,00	67,00	121,00	206,00	349,00	602,00					
Δp [Pa]	1,01	1,01	0,95	0,83	0,67	0,49					
Q [m ³ /h]	27,00	47,00	84,00	143,00	243,00	418,00					
Δp [Pa]	0,49	0,49	0,46	0,40	0,32	0,23					

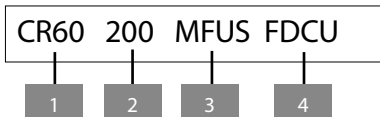
Every air flow lower than the above mentioned maximum value, will meet the listed A-weighted sound power level for the respective dimension.

Correction factor ΔL

To obtain the sound power level for the octave midband: $LW_{oct} = \Delta L + L_{wa}$

[Hz]	63	125	250	500	1000	2000	4000	8000
2 - 4 m/s	24	7	-6	-16	-23	-26	-25	-18
6 - 8 m/s	20	10	0	-6	-10	-14	-21	-24
10 - 12 m/s	14	6	0	-4	-6	-9	-13	-19

Sample order



1. product
2. diameter
3. mechanism type
4. option: unipolar end of range switch

Approvals and certificates

All our dampers are submitted to a number of tests by official test institutes. Reports of these tests form the basis for the approvals of our dampers.



BCCA-0749-CPR-BC1-606-0464-15650.02-2517



18.16

NF 537
CLAPETS RÉSISTANT AU FEU
VOLETS RÉSISTANT AU FEU
www.marque-nf.com



SC0648-15



26815

The NF-label guarantees: conformity with the standard NF S 61-937 Parts 1 and 5: "Systèmes de Sécurité Incendie Dispositifs Actionnés de Sécurité"; conformity with the national decree of March 22, 2004, changed on 14 March 2011 for the classification of fire resistance; the values of the characteristics mentioned in this document. Organisme Certificateur: AFNOR Certification, 11 Rue Francis de Pressensé, F93571 La Plaine Saint-Denis Cedex; Website: <http://www.afnor.org> <http://www.marque-nf.com>; Phone: +33 (0)1.41.62.80.00, Fax: +33 (0)1.49.17.90.00, Email: certification@afnor.org