

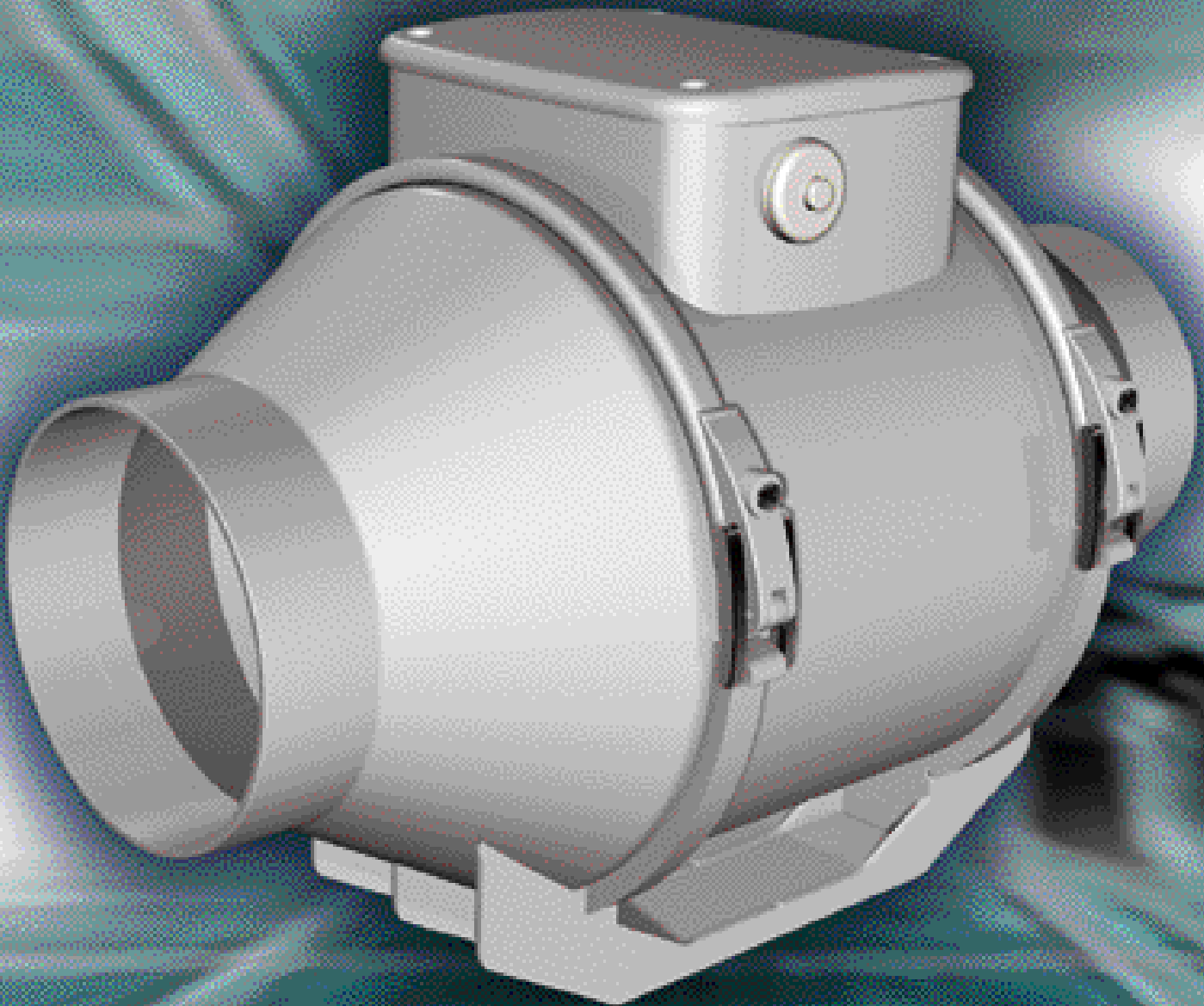
NEW

VORTICE LINEO®

IN-LINE MIXED FLOW EXTRACTOR
FANS FOR DUCT MOUNTING.
14 MODELS WITH AND WITHOUT TIMERS
SAFETY AND ACOUSTIC
PERFORMANCES CERTIFIED



VENTILATION
AIR CONDITIONING
AIR CLEANING
HEATING



IPX4



LONG LIFE 30.000 h

VORTICE LINEO®

VORTICE LINEO SERIES IN-LINE MIXED FLOW FANS ARE IDEAL FOR DUCT-MOUNTED VENTILATION SYSTEMS REQUIRING A HIGH PRESSURE, GOOD AIR FLOW AND LOW NOISE LEVELS

Vortice Lineo extractors can be mounted in a wide range of options - at the beginning, middle or end of the air duct and horizontally, vertically, against walls, ceilings, false ceilings or any flat surface.

One of the main features of the new Vortice Lineo range, in addition to ease of installation,

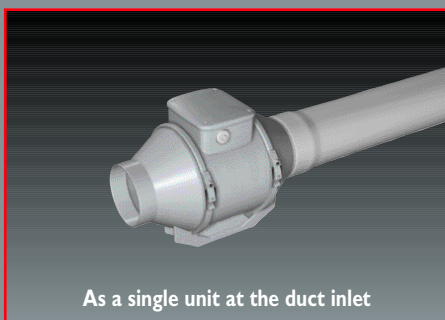
is the fact that the fan unit can be removed from situ, for inspection and maintenance, in just a few seconds without the use of tools.

Vortice Lineo units can be fitted to standard round section pipes and to rectangular air ducts (using unique special mounting accessories).

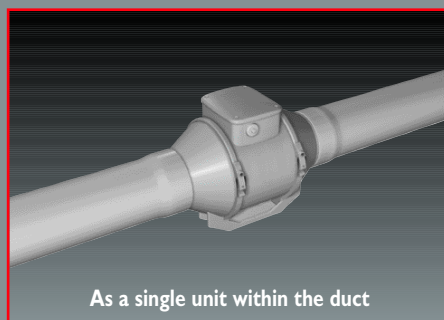
The integrated IPX4 rated electrical junction box has an airtight cover.

The product is supplied complete with a bag of accessories including anchor bolts and plugs, cable clamps and grommets.

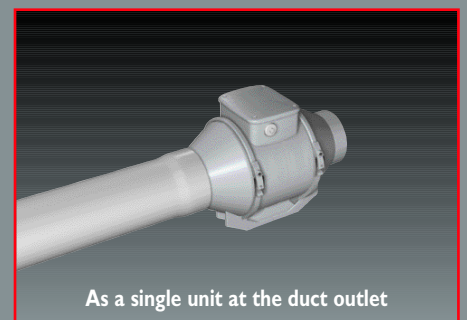
- **Silent running and certified, guaranteed performance**
- **Compact overall dimensions**
- **Protection rating IPX4**
- **Two speeds**
- **Adjustable timer**
- **Double insulation**
- **Self-extinguishing V0 plastic**
- **Eco-friendly**
- **Speed Adjustable**
- **Intelligent**



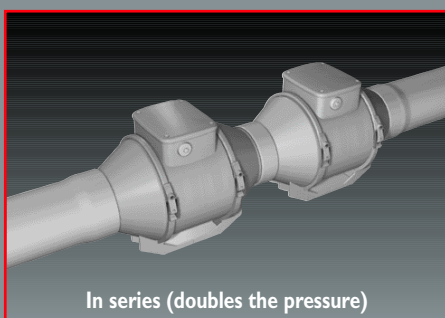
As a single unit at the duct inlet



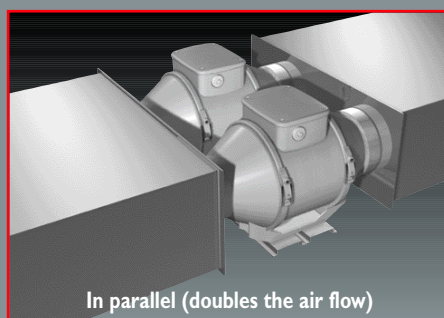
As a single unit within the duct



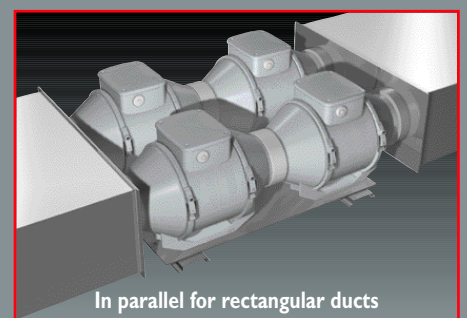
As a single unit at the duct outlet



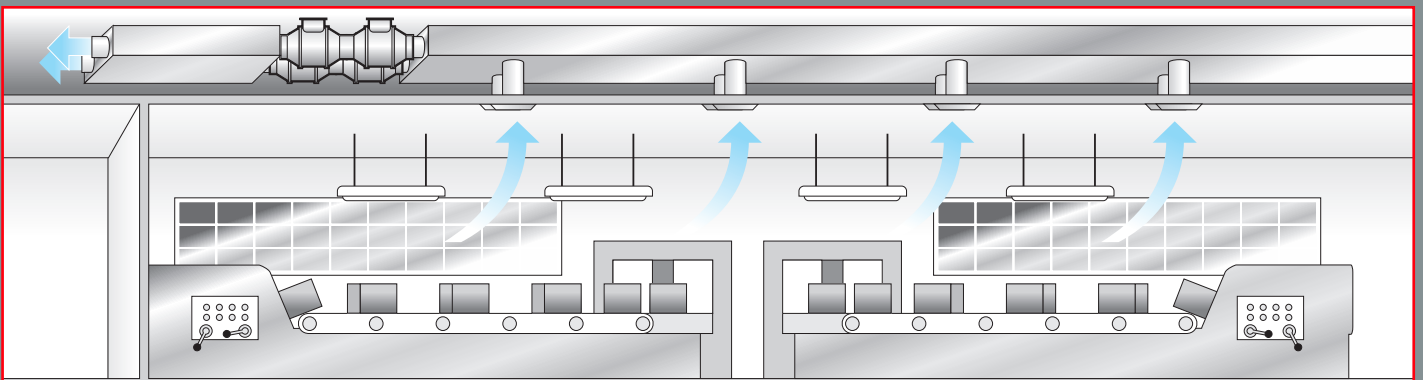
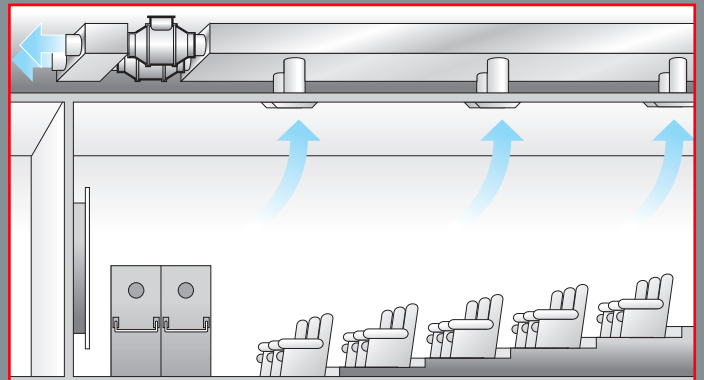
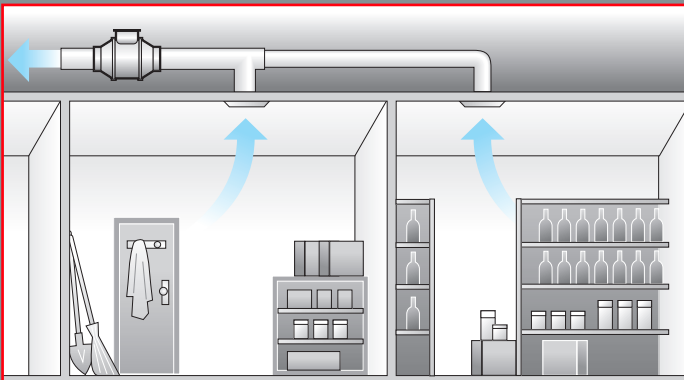
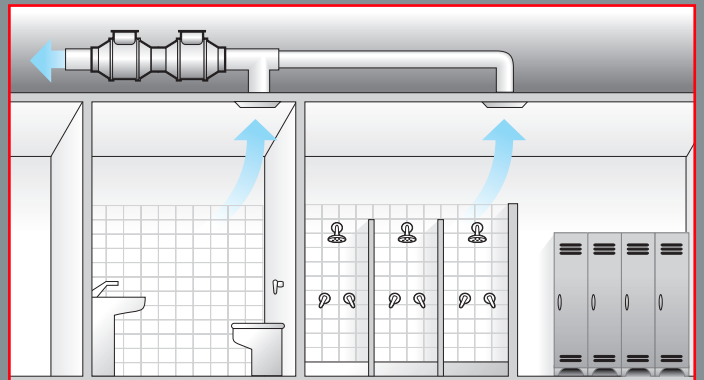
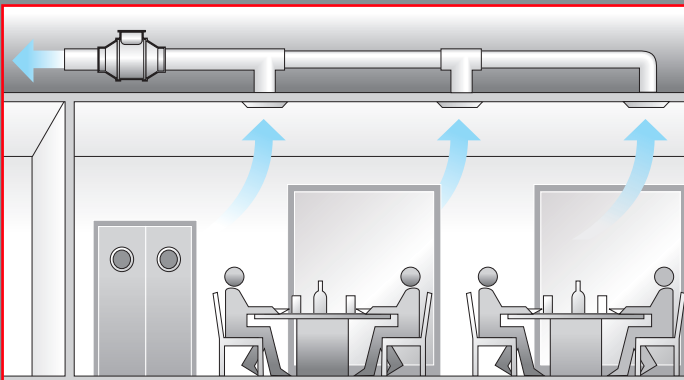
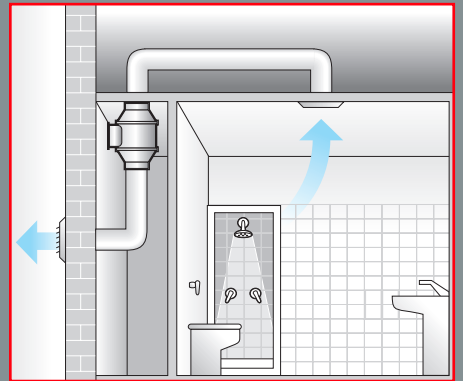
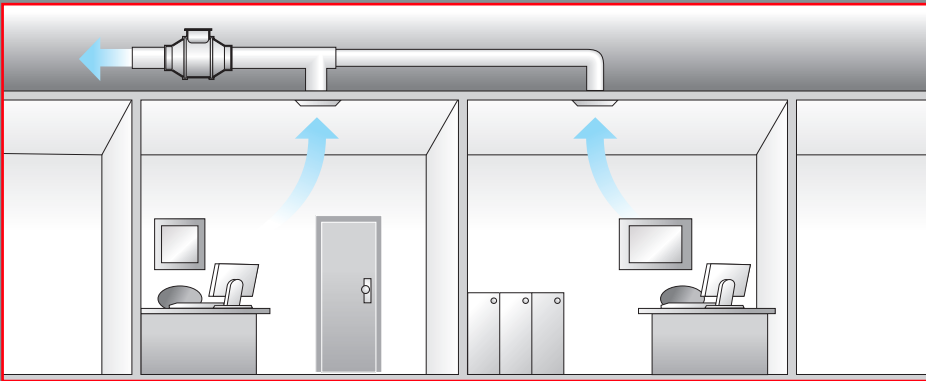
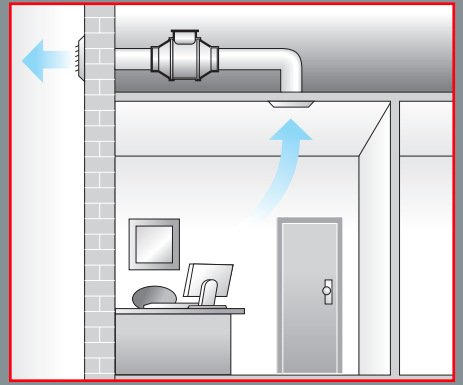
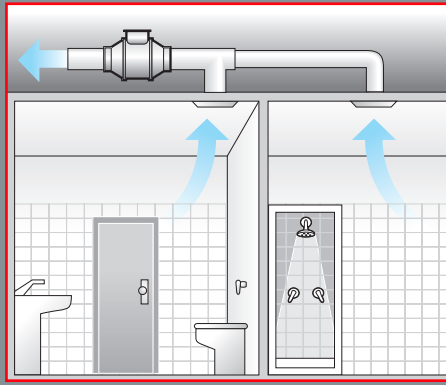
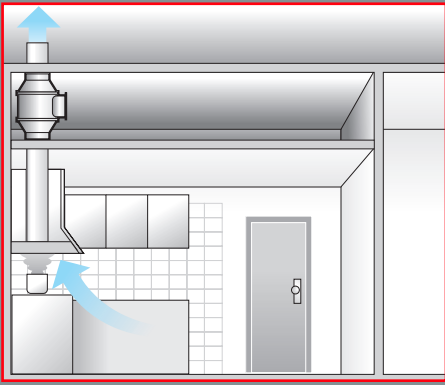
In series (doubles the pressure)



In parallel (doubles the air flow)



In parallel for rectangular ducts



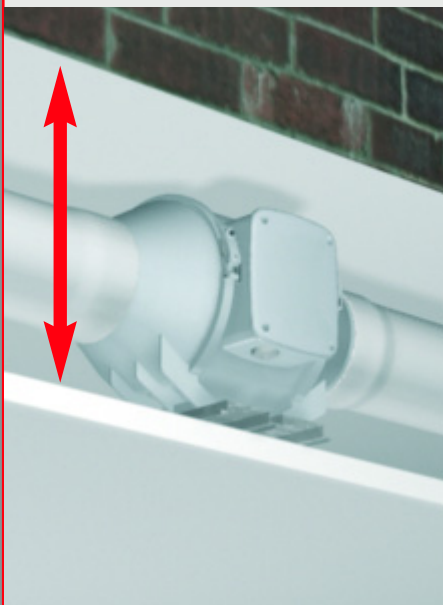


SILENT RUNNING AND CERTIFIED, GUARANTEED PERFORMANCE

Lineo series extractors have certified air flow, pressure (to UNI 10531:1995, corresponding to ISO 5801) and noise levels (UNI EN ISO 374). Certification of these parameters guarantees that our products will always meet the your requirements and expectations.

COMPACT OVERALL DIMENSIONS

The products have a very small overall size, making them ideal for installation in cramped areas. Slim yet powerful, the overall diameter is only slightly larger than the ventilation duct it connects to.



IPX4

PROTECTION RATING IPX4

The products are protected against jets of water from all directions, making them ideal for installation in humid and wet areas.

TIMER

ADJUSTABLE TIMER

Vortice Lineo products are also available with an adjustable, from 3 to 20 minutes, overrun timer.



DOUBLE INSULATION

No earth is required.

SELF-EXTINGUISHING V0 PLASTIC

All models are constructed in V0 grade plastic to guarantee the highest available self-extinguishing rating as well as excellent mechanical strength.

ECO-FRIENDLY

All Lineo components can be easily disassembled and are designed to be recyclable and to comply with the requirements of Article 4 of the "WEEE" directive (waste electrical and electronic equipment). The products are carefully designed to provide an extended life cycle and to provide a low environmental impact both in manufacture and use.

SPEED ADJUSTABLE

All models can be speed adjusted with the optionally available controllers.

PIR

Passive Infrared

INTELLIGENT

Vortice Lineo products are capable of advanced functionality in combination with optional sensor units for monitoring humidity, detecting persons, ambient temperature, pollutant levels and air quality.



TWO SPEEDS

All models feature two speed operation, including timer equipped models.

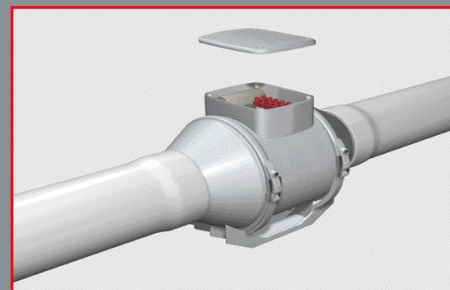
LONG LIFE 30.000 h

The entire Lineo range is fitted with ball bearing motors for a minimum 30,000 hours operation without mechanical malfunction.



SAFE

Safety, power rating, protection rating (IPX4 to EN 60529) and insulation are certified by the IMQ (Quality Mark Institute), the Italian national certifying agency.



OPTIMUM ENERGY EFFICIENCY

Our research programmes have enabled us to obtain the best possible ratio between running costs and performance

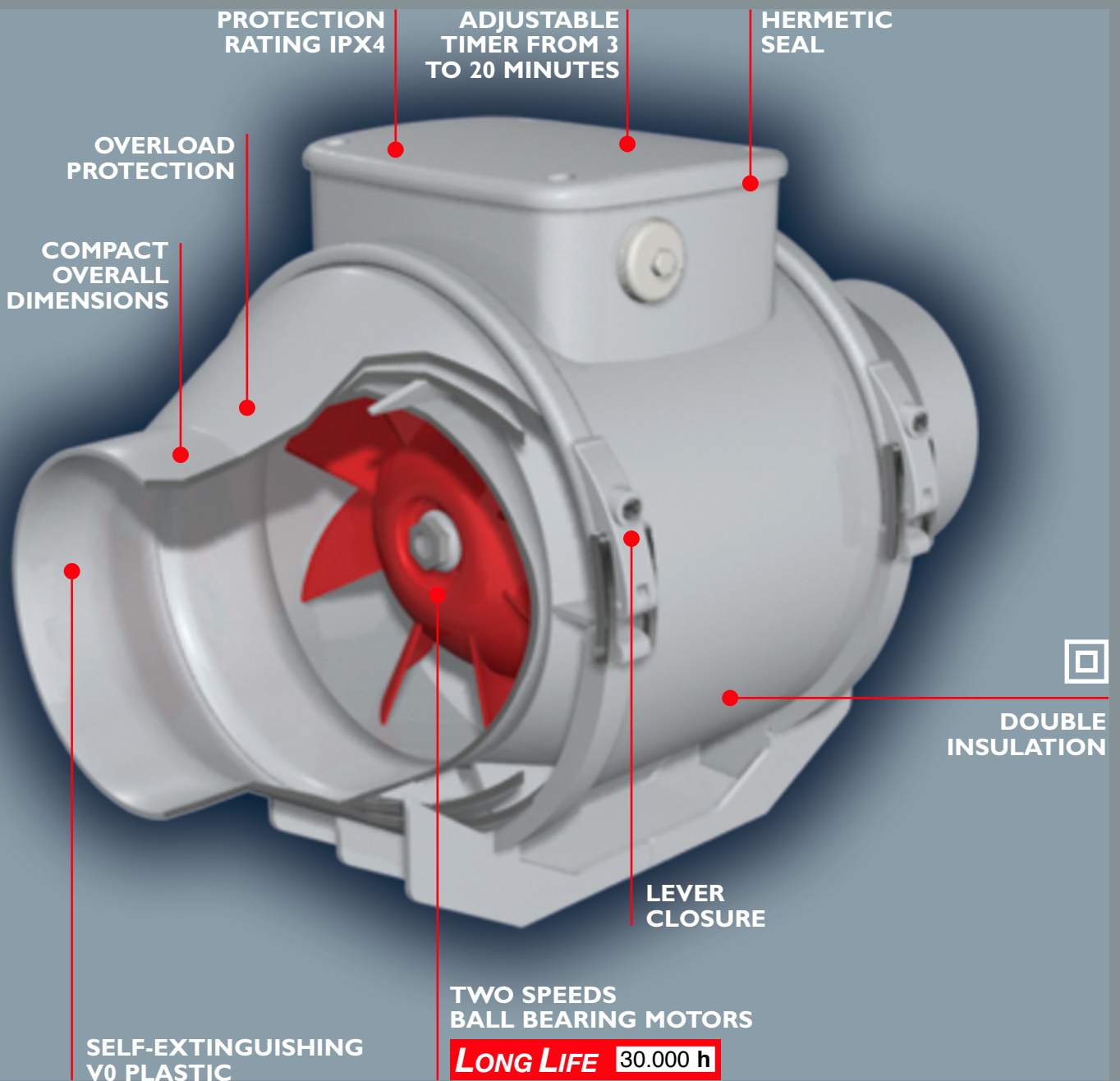


OVERLOAD PROTECTION

The top of the range models feature a manual reset limiter on the motor. Other models are equipped with thermal cut-out switch.

COMPLIANCE TO STANDARDS

The entire range of Vortice Lineo extractors has been constructed to comply with EN 60335-2-80-1997. Performance conforms to UNI 10531 (Category D application B). They bear the CE Mark for compliance with the Low Voltage Directive (LVD) and Electromagnetic Compatibility Directive (EMC).



QUICK, EASY INSTALLATION

The mounting brackets supplied with the unit make installation quick and easy.

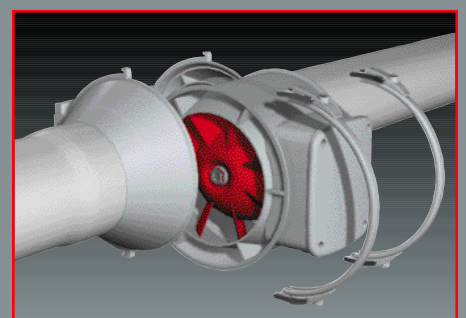
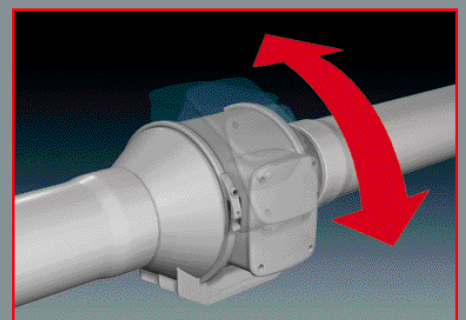
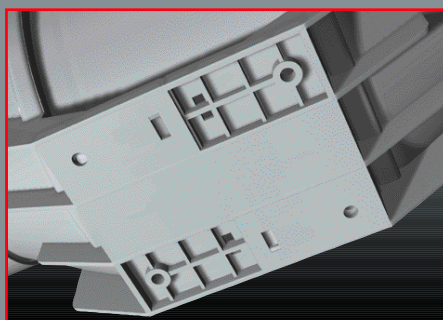
The junction box can be rotated to fit the mounting point for even simpler installation.

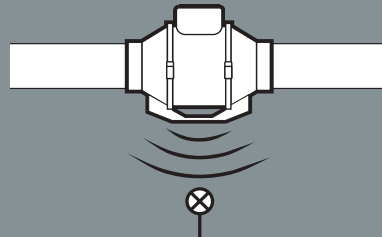
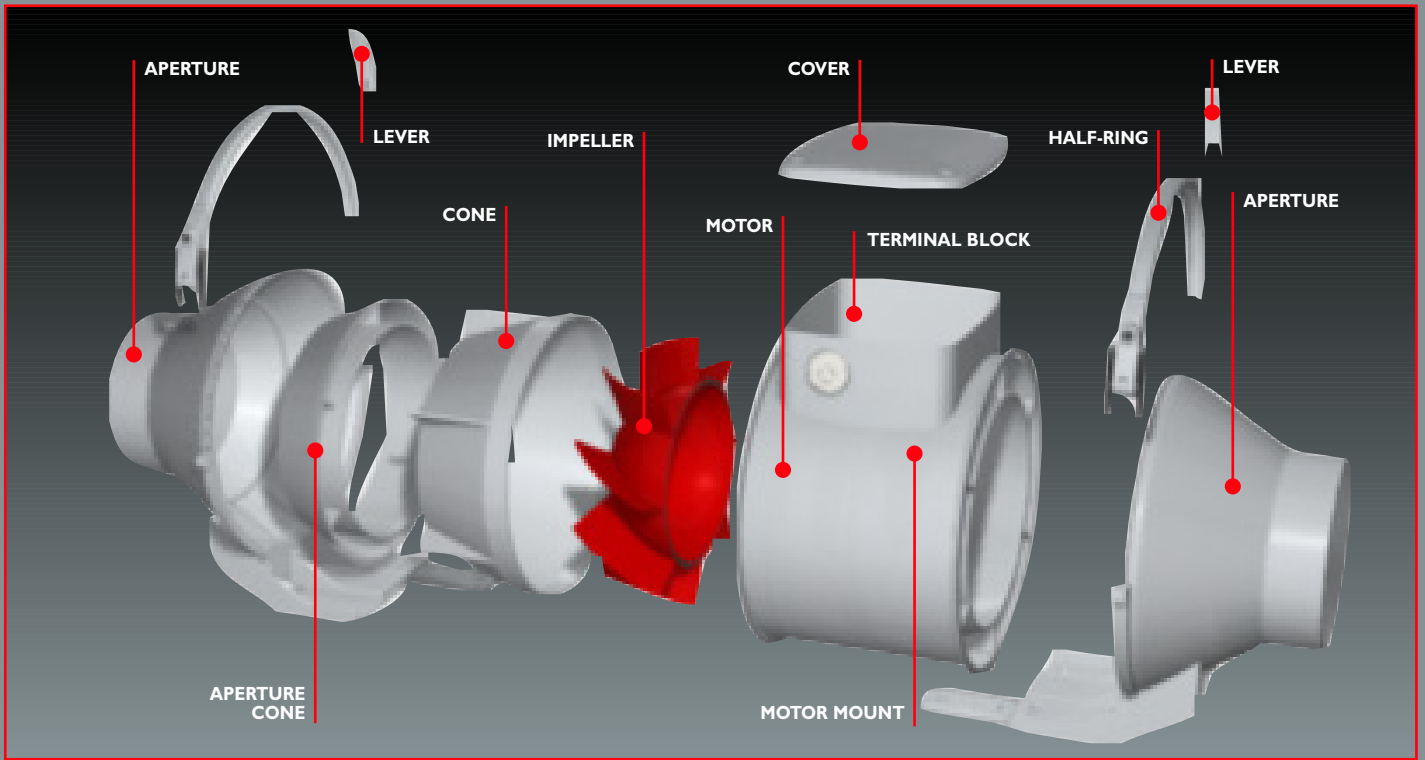
MOUNTING BOLTS INCLUDED

SIMPLE MAINTENANCE

Lineo products are equipped with a unique double-lever closure which allows the fan unit to be removed in just a few seconds without affecting the installation as a whole and without the need for tools.

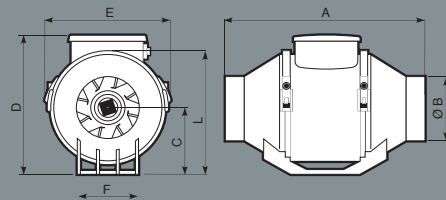
Refitting the unit is just as quick and easy.





FREQUENCY BANDS IN OCTAVES AND SOUND OUTPUT (MAXIMUM SPEED)

Frequency	100 Q V0	100 V0	125 V0	150 V0	160 V0	200 V0	250 V0	315 V0
125	46,5	52,3	51,4	60,5	59,1	68,6	69,0	73,3
250	56,5	62,3	61,8	68,3	68,9	68,6	73,1	78,4
500	55,5	58,6	59,5	67,8	66,7	71,2	77,2	79,4
1000	55,6	53,5	59,6	63,7	64,4	69,1	76,0	81,1
2000	47,4	51,0	56,8	66,7	67,0	70,7	72,3	76,5
4000	44,3	42,6	48,6	55,6	57,8	66,3	62,9	67,6
8000	33,6	34,0	40,5	45,8	48,4	57,4	55,1	59,6
LWA (dB(A))	58,5	60	63,6	71,1	71,3	75,7	79,7	83,9



DIMENSIONS

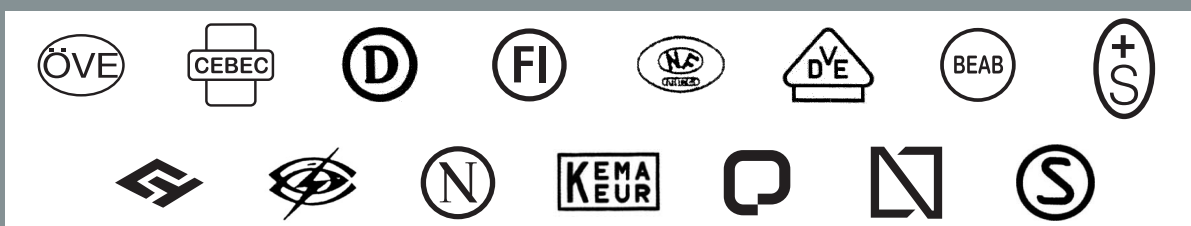
Models	A	Ø B	C	D	E	F	L
Lineo 100 Q V0	231	96	82	174	156	95	152
Lineo 100 V0	303	96	101,5	211	188,5	90	189
Lineo 125 V0	258	122	101,5	211	188,5	90	189
Lineo 150 V0	294	146	112,5	234	214,5	110	212
Lineo 160 V0	272,5	156	112,5	234	214,5	110	212
Lineo 200 V0	300	196	125,5	260,5	234,5	140	235
Lineo 250 V0	385	247	152,5	317	300	176,5	292
Lineo 315 V0	448	312	188,5	392,5	361,5	220,5	359



SAFETY GUARANTEED AND CERTIFIED

The IMQ mark certifies that the product is manufactured in compliance with the provisions of established safety standards EN 60335-1 and EN 60335-2-80, the Low Voltage Directive (LVD) and the Electromagnetic Compatibility Directive (EMC). IMQ further guarantees regular, constant production quality monitoring.

The IMQ mark is equivalent to the following European marks:



	V	Hz	W		A		IP	Insulation	Temp. max °C
			min	max	min	max			
Lineo 100 Q V0 Lineo 100 Q V0 T	220-240	50	12	15	0,05	0,07	X4	□ cl. II	60
Lineo 100 V0 Lineo 100 V0 T	220-240	50	20	23	0,09	0,11	X4	□ cl. II	60
Lineo 125 V0 Lineo 125 V0 T	220-240	50	25	33	0,11	0,15	X4	□ cl. II	60
Lineo 150 V0 Lineo 150 V0 T	220-240	50	40	58	0,18	0,26	X4	□ cl. II	60
Lineo 160 V0 Lineo 160 V0 T	220-240	50	40	58	0,18	0,26	X4	□ cl. II	60
Lineo 200 V0 Lineo 200 V0 T	220-240	50	98	145	0,43	0,64	X4	□ cl. II	60
Lineo 250 V0	220-240	50	110	180	0,48	0,78	X4	□ cl. II	60
Lineo 315 V0	220-240	50	200	300	0,90	1,32	X4	□ cl. II	60



PERFORMANCE AND SILENCE GUARANTEED AND CERTIFIED BY IMQ PERFORMANCE

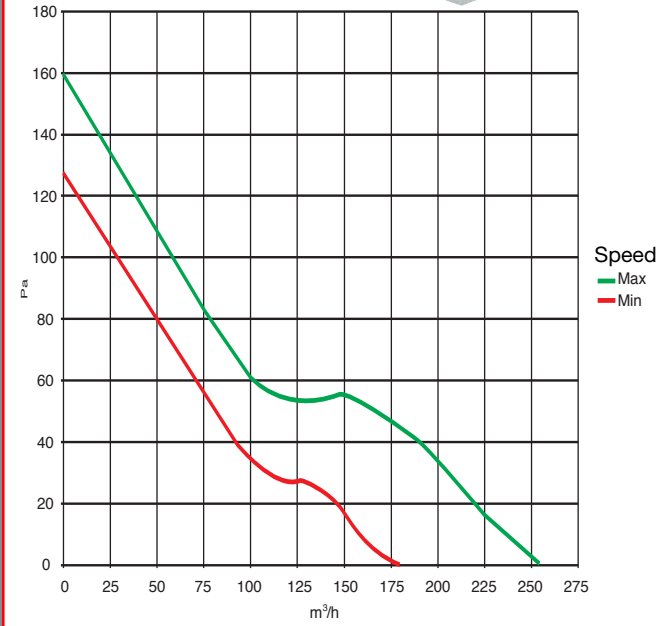
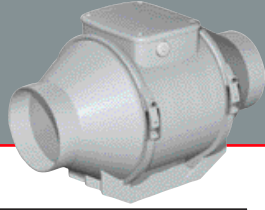
IMQ PERFORMANCE is an independent quality mark which certifies, to international standards *, the performance (flow rate and pressure) and noise levels of the product.

	Flow rate				Pressure				Lp dB(A) 3m	
	*ISO 5801		*ISO 5801		*ISO 5801		*EN ISO 3741:1999			
	min	max	min	max	min	max	min	max	min	max
	m³/h	l/s	m³/h	l/s	mm H ₂ O	Pa	mm H ₂ O	Pa	min	max
Lineo 100 Q V0 Lineo 100 Q V0 T	155	43,1	200	55,6	6,5	63,8	7,5	73,6	29,4	37,9
Lineo 100 V0 Lineo 100 V0 T	180	50,0	255	70,8	13	127,5	16,5	161,9	30,7	39,4
Lineo 125 V0 Lineo 125 V0 T	250	69,4	365	101,4	13	127,5	17	166,8	33,9	43
Lineo 150 V0 Lineo 150 V0 T	385	106,9	550	152,8	21	206,0	27	264,9	41,4	50,5
Lineo 160 V0 Lineo 160 V0 T	385	106,9	550	152,8	21	206,0	27	264,9	41,7	50,8
Lineo 200 V0 Lineo 200 V0 T	790	219,4	1060	294,4	29	284,5	33	323,7	48,8	55,1
Lineo 250 V0	990	275,0	1350	375,0	36	353,2	53	519,9	51,4	59,1
Lineo 315 V0	1740	483,3	2300	638,9	43,5	426,7	75	735,8	50,6	63,4

FLOW RATE / PRESSURE CURVES

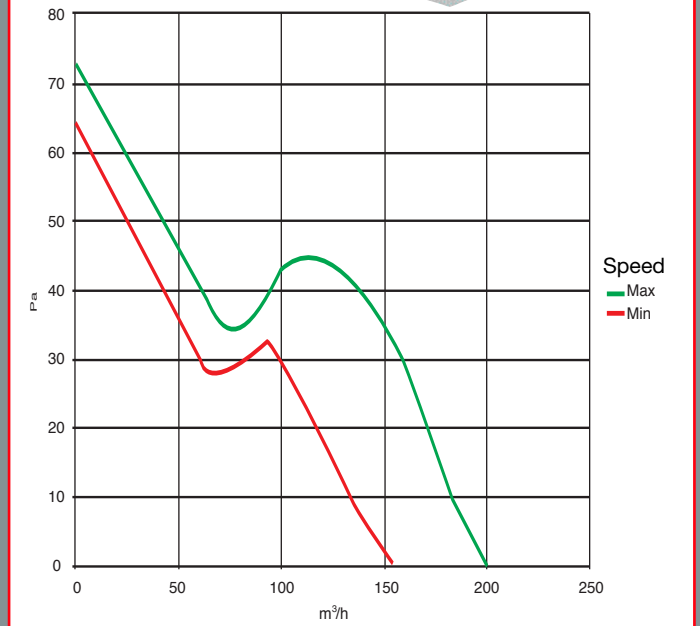
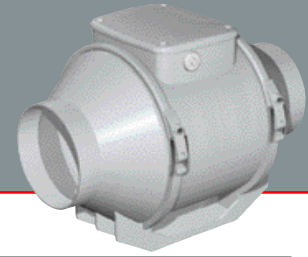
LINEO 100
(cod. 17001)

LINEO 100 T
(cod. 17021)



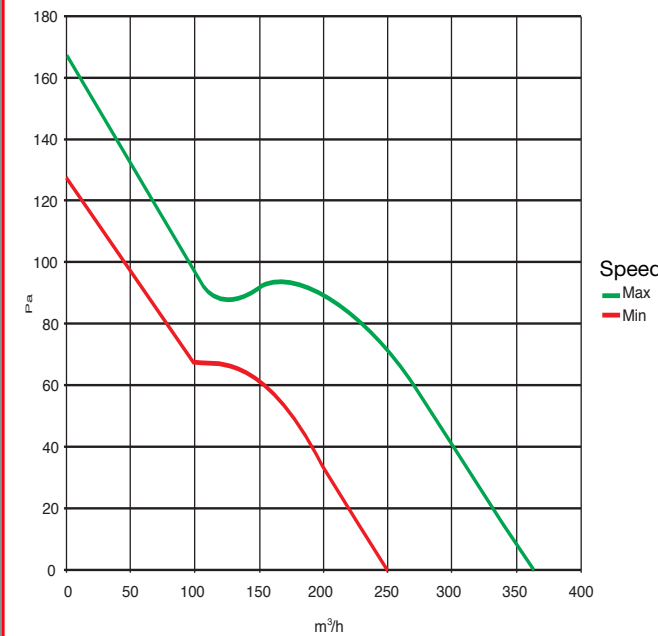
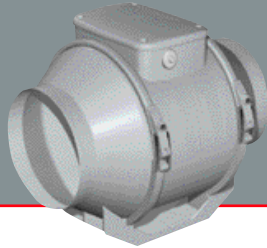
LINEO 100 Q
(cod. 17005)

LINEO 100 Q T
(cod. 17025)



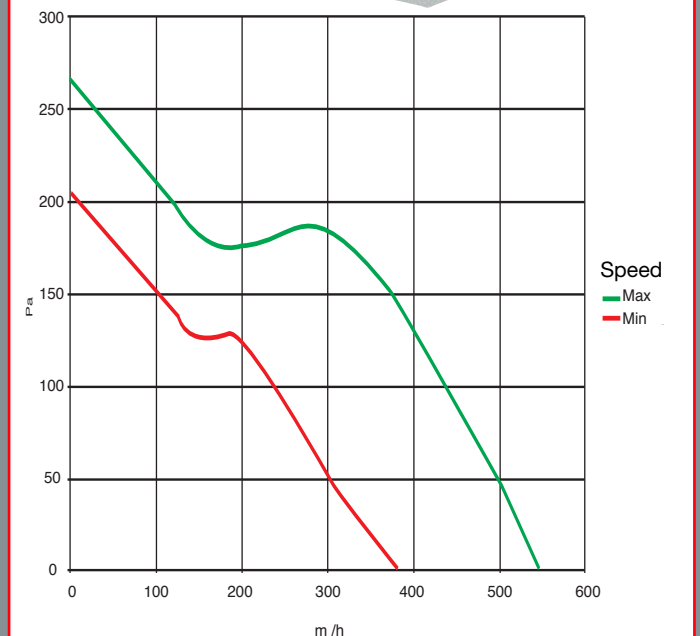
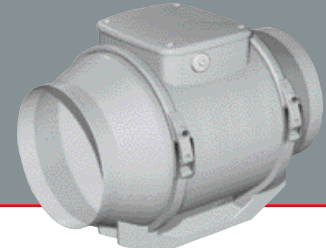
LINEO 125
(cod. 17002)

LINEO 125 T
(cod. 17022)



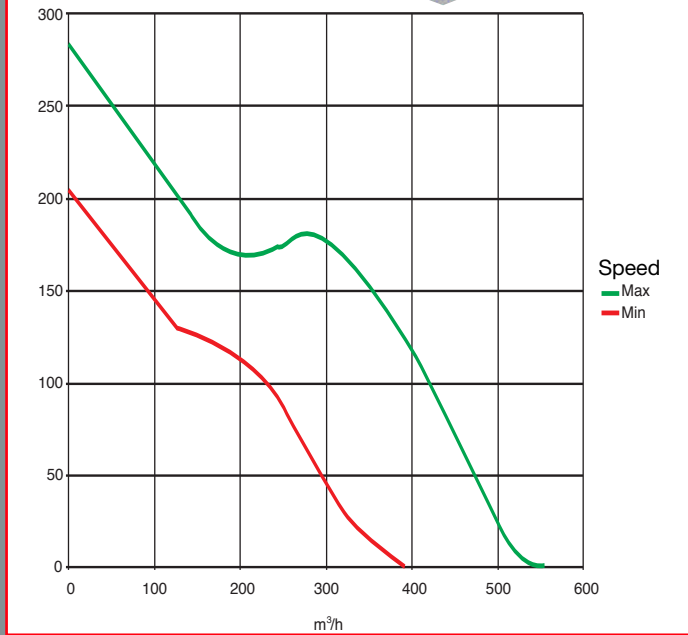
LINEO 150
(cod. 17003)

LINEO 150 T
(cod. 17023)



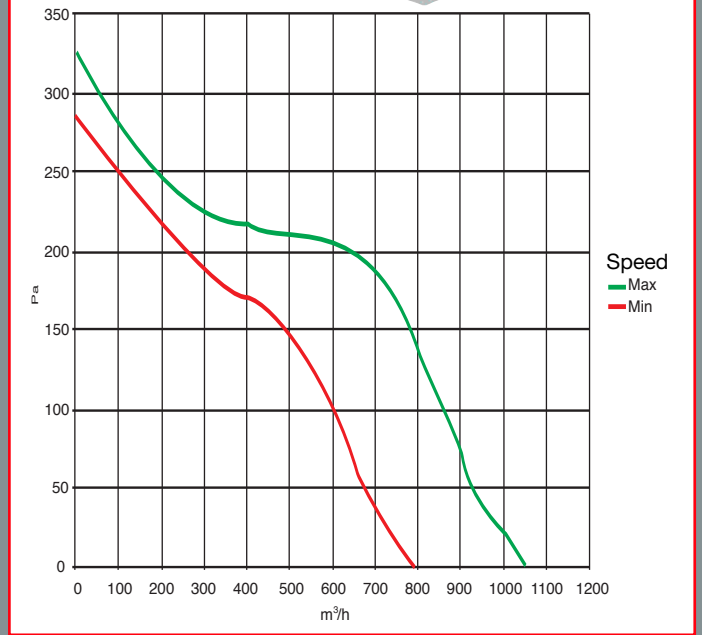
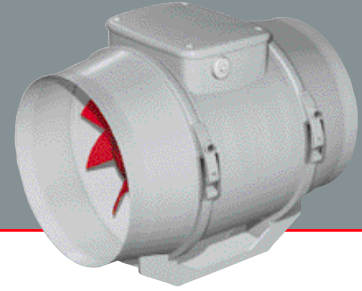
LINEO 160
(cod. 17004)

LINEO 160 T
(cod. 17024)

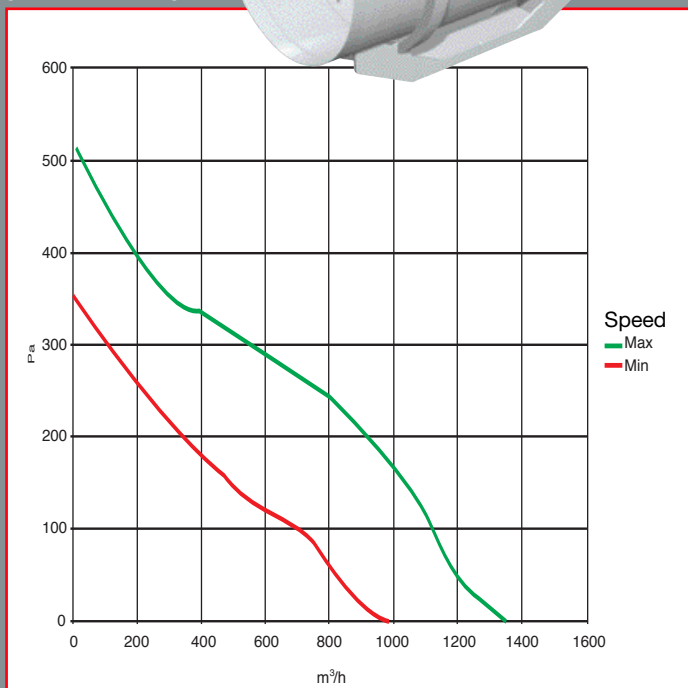
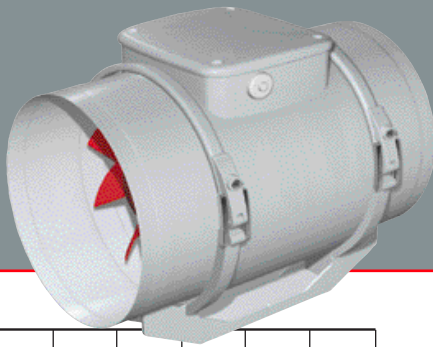


LINEO 200
(cod. 17006)

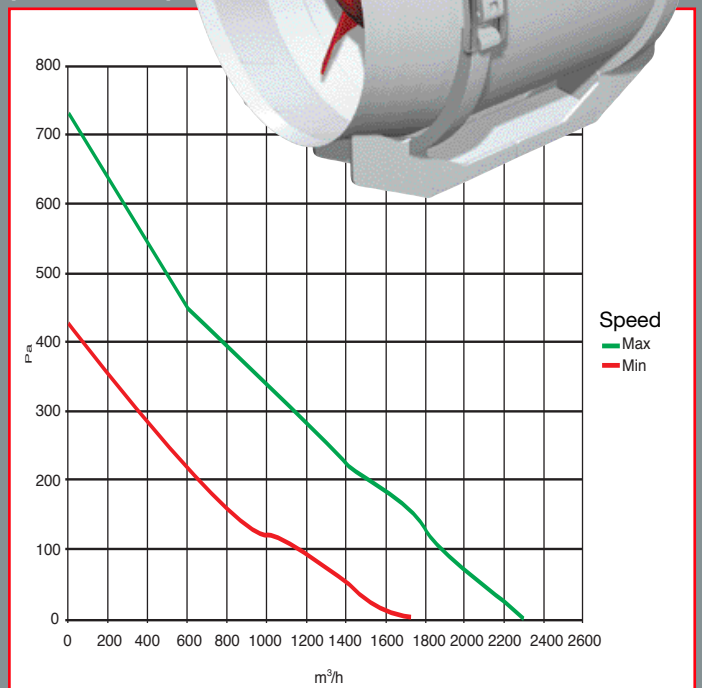
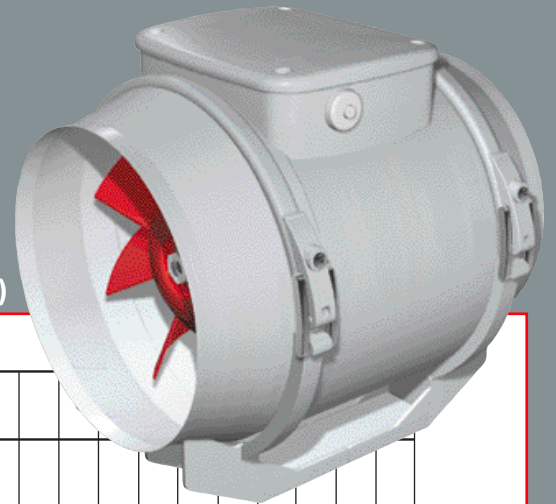
LINEO 200 T
(cod. 17026)



LINEO 250
(cod. 17009)



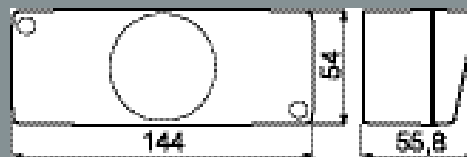
LINEO 315
(cod. 17010)



ENVIRONMENTAL SENSORS

Environmental sensors are designed to detect specific environmental conditions (humidity, temperature, presence of a moving body and air quality) and suitable for use with all Lineo and Vario models. These sensors can also be connected to CR range of Vario speed controllers. For basic models only.

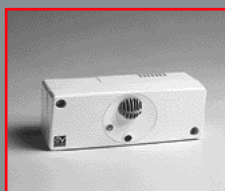
- Supply power: 220-240 V
- Frequency: 50/60Hz
- Maximum load: 3 A
- Operating temperature: 50 °C
- Protection class: IP20



C HCS-HUMIDITY

code 12994

Measures ambient relative humidity (R.H.), and starts the fan when the R.H. exceeds 65%. The sensor can also be wired to allow the unit to be switched on when the R.H. is below 65%, and incorporates an over-run timer (adjustable between 3 and 20 minutes).



C SMOKE

code 12993

Measures the air quality, detecting the presence of cigarette smoke, odours and other pollutants, and starts the fan when the concentration of pollutants exceeds the preset value.

The unit will also over-run for between 3 and 20 minutes (dependent on setting).



C TEMP-TEMPERATURE

code 12992

Measures ambient room temperature, and starts the fan when the temperature exceeds the preset value. Once the temperature drops below the preset value, the unit will over-run for between 3 and 20 minutes (dependent on setting).



C PIR-MOVEMENT DETECTOR

code 12998

Detects the presence of a moving body within its sensor range, and starts the fan automatically. The built-in over-run timer can be adjusted between 3 and 20 minutes.



C TIMER

code 12999

Adjustable over-run timer (adjustable between 3 and 20 minutes).

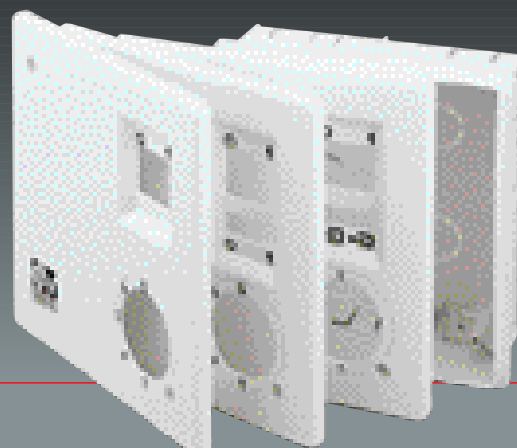


Speed controllers

- **5 speed controllers** (excluding timer models)
 - C5 0.5 (code 12987) from model 100 Q to 160 V0 inclusive Electronic controllers (excluding timer models)
- **Electronic controllers** (excluding timer models)
 - C1.5 (code 12966) from model 100 Q V0 to 200 V0 inclusive
 - C2.5 (code 12967) for models 250 V0 and 315 V0

Built-In controller adaptors

- **Kit SCB5** (code 22483) for regulators code 12987
- **Kit SCB** (code 22481) for controllers code 12966 and 12967



LINEO FANS GUARANTEE A LOW ENVIRONMENTAL IMPACT. RECYCLABLE MATERIALS HAVE BEEN USED AND THE “DESIGN FOR DISASSEMBLY” TECHNIQUE HAS BEEN FOLLOWED (2002/96/EC – WEEE)

DISPOSAL

The product is composed of the following materials:

- PPV0 fire-retardant polypropylene with talcum load
- Pom f.v.c. plastic with short glass fibre load
- PA 66 f.v.c. polyamide with short glass fibre load

MOTOR:

- Zn-Cd galvanised steel sheeting
- Copper
- Aluminium
- Foam rubber insulation and gasket
- Mylar insulators
- Bearing grease
- Steel bearings and motor shaft



ACCESSORIES

A wide range of accessories is available. For further information please contact: Vortice Limited, Phone: (+ 44) 1283-49.29.49 - Fax: (+44)1283-54.41.21 - sales@vortice.ltd.uk

Model	Code	Series installation kit (tube)	Series installation plate	Parallel installation kit (flanges and rails)	Back draught shutters	Fixed grilles	Protection grilles	Frames with safety mesh
100 Q V0	17005	-	-	-	22551	22010	22701	-
100 V0	17001	22584	22593	22577	22551	22010	22701	-
125 V0	17002	22585	2259	22578	22556	22020	22702	-
150 V0	17003	22586	22593	22579	22562	22020	22703	-
160 V0	17004	22587	22593	22581	22563	-	22704	51150
200 V0	17006	22588	22593	22582	22566	-	22705	51150
250 V0	17009	22589	22594	22583	22571	-	22706	51150
315 V0	17010	22592	22594	-	22576	-	22707	51150
100 Q T V0	17025	-	-	-	22551	22010	22701	-
100 T V0	17021	22584	22584	22577	22551	22010	22701	-
125 T V0	17022	22585	22585	22578	22556	22020	22702	-
150 T V0	17023	22586	22586	22579	222562	22020	22703	-
160 T V0	17024	22587	22587	22581	22563	-	22704	51150
200 T V0	17026	22588	22588	22582	22566	-	22705	51150

NEW

VORTICE LINEO®

IN-LINE MIXED FLOW EXTRACTOR
FANS FOR DUCT MOUNTING.
14 MODELS
WITH AND WITHOUT TIMERS



Code 5.170.084.282

Vortice Elettrosociali
Strada Cerca, 2
Frazione di Zoate
20067 Tribiano (Milano)
Tel. (+39) 02 906991
Fax (+39) 02 9064625
Italia
export@vortice-italy.com

Vortice France
72, Rue Baratte-Cholet
94106 Saint Maur
CEDEX
Tél. (+33) 1.55.12.50.00
Fax (+33) 1.55.12.50.01
France
vortice.france@free.fr

Vortice Limited
Beeches House-Eastern Avenue
Burton on Trent
DE13 0BB
Tel. (+44) 1283-49.29.49
Fax (+44) 1283-54.41.21
United Kingdom
getit@vortice.ltd.uk



www.vortice.com
www.vortice-france.com
www.vortice.ltd.uk